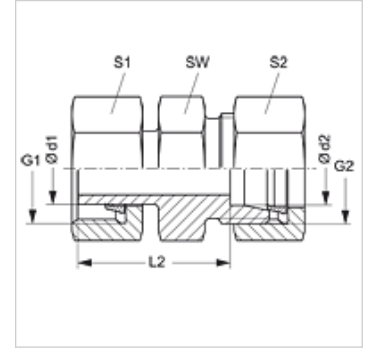


Properties

Connection 1	metric nut thread
Sealing form 1	Pipe socket with cutting ring
Connection 2	metric cylindrical outer thread
Sealing form 2	24° inner cone
Design	Reducing fitting
Construction	straight
Standard	ISO 8434-1
Scope of supply	Socket with union nut and cutting ring
Material	Brass



Item

Identification	Series	Operating pressure	Ø d1 (mm)	Ø d2 (mm)	G1	G2	L2 (mm)	AF (mm)	S1	S2
AH NW 06 L 04 MG	L	PN 200	8	6	M 14 x 1.5	M 12 x 1.5	25,5	12	17	14
AH NW 08 L 04 MG	L	PN 200	10	6	M 16 x 1.5	M 12 x 1.5	27,0	12	19	14
AH NW 08 L 06 MG	L	PN 200	10	8	M 16 x 1.5	M 14 x 1.5	27,5	14	19	17
AH NW 10 L 04 MG	L	PN 200	12	6	M 18 x 1.5	M 12 x 1.5	28,0	14	22	14
AH NW 10 L 06 MG	L	PN 200	12	8	M 18 x 1.5	M 14 x 1.5	29,0	14	22	17
AH NW 10 L 08 MG	L	PN 200	12	10	M 18 x 1.5	M 16 x 1.5	30,0	17	22	19
AH NW 13 L 04 MG	L	PN 200	15	6	M 22 x 1.5	M 12 x 1.5	29,0	17	27	14
AH NW 13 L 06 MG	L	PN 200	15	8	M 22 x 1.5	M 14 x 1.5	29,0	17	27	17
AH NW 13 L 08 MG	L	PN 200	15	10	M 22 x 1.5	M 16 x 1.5	30,0	17	27	19
AH NW 13 L 10 MG	L	PN 200	15	12	M 22 x 1.5	M 18 x 1.5	31,0	19	27	22
AH NW 16 L 06 MG	L	PN 200	18	8	M 26 x 1.5	M 14 x 1.5	31,0	19	32	17
AH NW 16 L 08 MG	L	PN 200	18	10	M 26 x 1.5	M 16 x 1.5	32,0	19	32	19
AH NW 16 L 10 MG	L	PN 200	18	12	M 26 x 1.5	M 18 x 1.5	33,0	19	32	22
AH NW 16 L 13 MG	L	PN 200	18	15	M 26 x 1.5	M 22 x 1.5	34,0	24	32	27
AH NW 20 L 13 MG	L	PN 100	22	15	M 30 x 2	M 22 x 1.5	36,0	24	36	27
AH NW 20 L 16 MG	L	PN 100	22	18	M 30 x 2	M 26 x 1.5	36,5	27	36	32
AH NW 25 L 08 MG	L	PN 100	28	10	M 36 x 2	M 16 x 1.5	35,0	30	41	19
AH NW 25 L 10 MG	L	PN 100	28	12	M 36 x 2	M 18 x 1.5	36,0	30	41	22
AH NW 25 L 13 MG	L	PN 100	28	15	M 36 x 2	M 22 x 1.5	37,0	30	41	27
AH NW 25 L 16 MG	L	PN 100	28	18	M 36 x 2	M 26 x 1.5	37,5	30	41	32
AH NW 25 L 20 MG	L	PN 100	28	22	M 36 x 2	M 30 x 2	39,5	32	41	36
AH NW 06 S 04 MG	S	PN 400	10	8	M 18 x 1.5	M 16 x 1.5	34,0	17	22	19
AH NW 08 S 03 MG	S	PN 400	12	6	M 20 x 1.5	M 14 x 1.5	32,0	14	24	17
AH NW 08 S 04 MG	S	PN 400	12	8	M 20 x 1.5	M 16 x 1.5	34,0	17	24	19
AH NW 08 S 06 MG	S	PN 400	12	10	M 20 x 1.5	M 18 x 1.5	33,5	19	24	22
AH NW 13 S 04 MG	S	PN 250	16	8	M 24 x 1.5	M 16 x 1.5	37,0	17	30	19
AH NW 13 S 06 MG	S	PN 250	16	10	M 24 x 1.5	M 18 x 1.5	36,5	19	30	22
AH NW 13 S 08 MG	S	PN 250	16	12	M 24 x 1.5	M 20 x 1.5	38,5	22	30	24
AH NW 16 S 04 MG	S	PN 250	20	8	M 30 x 2	M 16 x 1.5	42,0	22	36	19
AH NW 16 S 06 MG	S	PN 250	20	10	M 30 x 2	M 18 x 1.5	41,5	22	36	22
AH NW 16 S 08 MG	S	PN 250	20	12	M 30 x 2	M 20 x 1.5	43,5	22	36	24
AH NW 16 S 13 MG	S	PN 250	20	16	M 30 x 2	M 24 x 1.5	44,5	27	36	30
AH NW 20 S 16 MG	S	PN 250	25	20	M 36 x 2	M 30 x 2	48,5	32	46	36
AH NW 25 S 20 MG	S	PN 250	30	25	M 42 x 2	M 36 x 2	57,0	41	50	46
AH NW 32 S 25 MG	S	PN 200	38	30	M 52 x 2	M 42 x 2	60,5	46	60	50

Series: LL = Very light L = Light S = Heavy - PN = Nominal pressure PB = Max. operating pressure - Ø d1 = External pipe diameter - Ø d2 = External pipe diameter

Product versions

AH	Reducing fitting, Socket with union nut and cutting ring
AH VA	Reducing fitting, Socket with union nut and cutting ring