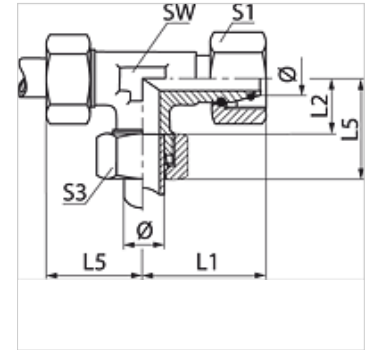


# VELO VA

## Fitting, L shaped

### Properties

<b>Connection 1</b>	metric nut thread
<b>Sealing form 1</b>	24° outer cone with O-ring
<b>Connection 2 + 3</b>	metric cylindrical outer thread
<b>Sealing form 2 + 3</b>	24° inner cone
<b>Design</b>	Adjustable direction fitting
<b>Construction</b>	L shaped
<b>Standard</b>	ISO 8434-4
<b>Scope of supply</b>	Socket with union nut and cutting ring
<b>Material</b>	Stainless steel



### Note

Information about fitting, installation, pressure loads and permissible operating temperatures can be found in the technical information for pipe fittings.

### Ordering information

Seals of NBR  
FPM (Viton) on request

### Item

Identification	Series	Operating pressure	Ø d2 (mm)	L1 (mm)	L2 (mm)	L5 (mm)	AF (mm)	S1	S3	OR
VELO NW 04 HL VA	L	PN 315	6	26,0	12,0	27	12	14	14	4.0 x 1.5
VELO NW 06 HL VA	L	PN 315	8	27,5	14,0	29	12	17	17	6.0 x 1.5
VELO NW 08 HL VA	L	PN 315	10	29,0	15,0	30	14	19	19	7.5 x 1.5
VELO NW 10 HL VA	L	PN 315	12	29,5	17,0	32	17	22	22	9.0 x 1.5
VELO NW 13 HL VA	L	PN 315	15	32,5	21,0	36	19	27	27	12.0 x 2.0
VELO NW 16 HL VA	L	PN 315	18	35,5	23,5	40	24	32	32	15.0 x 2.0
VELO NW 20 HL VA	L	PN 160	22	38,5	27,5	44	27	36	36	20.0 x 2.0
VELO NW 25 HL VA	L	PN 160	28	41,5	30,5	47	36	41	41	26.0 x 2.0
VELO NW 32 HL VA	L	PN 160	35	51,0	34,5	56	41	50	50	32.0 x 2.5
VELO NW 40 HL VA	L	PN 160	42	56,0	40,0	63	50	60	60	38.0 x 2.5
VELO NW 03 HS VA	S	PN 630	6	27,0	16,0	31	12	17	17	4.0 x 1.5
VELO NW 04 HS VA	S	PN 630	8	27,5	17,0	32	14	19	19	6.0 x 1.5
VELO NW 06 HS VA	S	PN 630	10	30,0	17,5	34	17	22	22	7.5 x 1.5
VELO NW 08 HS VA	S	PN 630	12	31,0	21,5	38	17	24	24	9.0 x 1.5
VELO NW 10 HS VA	S	PN 630	14	35,0	22,0	40	19	27	27	10.0 x 2.0
VELO NW 13 HS VA	S	PN 400	16	36,5	24,5	43	24	30	30	12.0 x 2.0
VELO NW 16 HS VA	S	PN 400	20	44,5	26,5	48	27	36	36	16.3 x 2.4
VELO NW 20 HS VA	S	PN 400	25	50,0	30,0	54	36	46	46	20.3 x 2.4
VELO NW 25 HS VA	S	PN 400	30	55,0	35,5	62	41	50	50	25.3 x 2.4
VELO NW 32 HS VA	S	PN 315	38	63,0	41,0	72	50	60	60	33.3 x 2.4

Series: LL = Very light L = Light S = Heavy – PN = Nominal pressure PB = Max. operating pressure – Ø = External pipe diameter

### Product versions

VELO	Fitting, L shaped, Steel
XVELO VA	Fitting, L shaped, Stainless steel