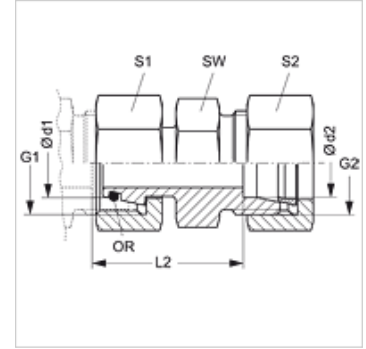


Properties

Connection 1	metric nut thread
Sealing form 1	24° outer cone with O-ring
Connection 2	metric cylindrical outer thread
Sealing form 2	24° inner cone
Design	Reducing fitting
Construction	straight
Standard	DIN 2353 ISO 8434-1
Scope of supply	Socket with union nut and cutting ring
Material	Steel
Surface	electro galvanised



Note

Information about fitting, installation, pressure loads and permissible operating temperatures can be found in the technical information for pipe fittings.

Item

Identification	Series	Operating pressure	Ø d1 (mm)	Ø d2 (mm)	G1	G2	L2 (mm)	AF (mm)	S1	S2	OR
AOH NW 04 LL 04	L / LL	PN 100	6	4	M 12 x 1.5	M 8 x 1	24,5	9	14	10	4.0 x 1.5
AOH NW 04 L	L	PN 315	6	6	M 12 x 1.5	M 12 x 1.5	36,0	12	14	14	4.0 x 1.5
AOH NW 06 L 04	L	PN 315	8	6	M 14 x 1.5	M 12 x 1.5	24,5	12	17	14	6.0 x 1.5
AOH NW 06 L	L	PN 315	8	8	M 14 x 1.5	M 14 x 1.5	36,0	14	17	17	6.0 x 1.5
AOH NW 06 L 08	L	PN 315	8	10	M 14 x 1.5	M 16 x 1.5	26,0	17	17	19	6.0 x 1.5
AOH NW 08 L 04	L	PN 315	10	6	M 16 x 1.5	M 12 x 1.5	25,0	14	19	14	7.5 x 1.5
AOH NW 08 L 06	L	PN 315	10	8	M 16 x 1.5	M 14 x 1.5	25,0	14	19	17	7.5 x 1.5
AOH NW 08 L	L	PN 315	10	10	M 16 x 1.5	M 16 x 1.5	36,0	17	19	19	7.5 x 1.5
AOH NW 08 L 10	L	PN 315	10	12	M 16 x 1.5	M 18 x 1.5	28,0	19	19	22	7.5 x 1.5
AOH NW 10 L 04	L	PN 315	12	6	M 18 x 1.5	M 12 x 1.5	26,5	17	22	14	9.0 x 1.5
AOH NW 10 L 06	L	PN 315	12	8	M 18 x 1.5	M 14 x 1.5	26,5	17	22	17	9.0 x 1.5
AOH NW 10 L 08	L	PN 315	12	10	M 18 x 1.5	M 16 x 1.5	27,5	17	22	19	9.0 x 1.5
AOH NW 10 L	L	PN 315	12	12	M 18 x 1.5	M 18 x 1.5	36,0	19	22	22	9.0 x 1.5
AOH NW 13 L 04	L	PN 315	15	6	M 22 x 1.5	M 12 x 1.5	28,5	19	27	14	12.0 x 2.0
AOH NW 13 L 06	L	PN 315	15	8	M 22 x 1.5	M 14 x 1.5	28,5	19	27	17	12.0 x 2.0
AOH NW 13 L 08	L	PN 315	15	10	M 22 x 1.5	M 16 x 1.5	29,5	19	27	19	12.0 x 2.0
AOH NW 13 L 10	L	PN 315	12	15	M 22 x 1.5	M 16 x 1.5	29,5	19	27	22	12.0 x 2.0
AOH NW 13 L	L	PN 315	15	15	M 22 x 1.5	M 22 x 1.5	36,0	24	27	27	12.0 x 2.0
AOH NW 16 L 04	L	PN 315	18	6	M 26 x 1.5	M 12 x 1.5	29,5	24	32	14	15.0 x 2.0
AOH NW 16 L 06	L	PN 315	18	8	M 26 x 1.5	M 14 x 1.5	29,5	24	32	17	15.0 x 2.0
AOH NW 16 L 08	L	PN 315	18	10	M 26 x 1.5	M 16 x 1.5	30,5	24	32	19	15.0 x 2.0
AOH NW 16 L 10	L	PN 315	18	12	M 26 x 1.5	M 18 x 1.5	30,5	24	32	22	15.0 x 2.0
AOH NW 16 L 13	L	PN 315	18	15	M 26 x 1.5	M 22 x 1.5	31,5	24	32	27	15.0 x 2.0
AOH NW 16 L	L	PN 315	18	18	M 26 x 1.5	M 26 x 1.5	36,0	27	32	32	15.0 x 2.0
AOH NW 20 L 04	L	PN 160	22	6	M 30 x 2	M 12 x 1.5	32,0	27	36	14	20.0 x 2.0
AOH NW 20 L 06	L	PN 160	22	8	M 30 x 2	M 14 x 1.5	32,0	27	36	17	20.0 x 2.0
AOH NW 20 L 08	L	PN 160	22	10	M 30 x 2	M 16 x 1.5	33,0	27	36	19	20.0 x 2.0
AOH NW 20 L 10	L	PN 160	22	12	M 30 x 2	M 18 x 1.5	33,0	27	36	22	20.0 x 2.0
AOH NW 20 L 13	L	PN 160	22	15	M 30 x 2	M 22 x 1.5	34,0	27	36	27	20.0 x 2.0
AOH NW 20 L 16	L	PN 160	22	18	M 30 x 2	M 26 x 1.5	33,5	27	36	32	20.0 x 2.0
AOH NW 20 L	L	PN 160	22	22	M 30 x 2	M 30 x 2	40,0	32	36	36	20.0 x 2.0
AOH NW 20 L 25	L	PN 160	22	28	M 30 x 2	M 36 x 2	38,0	41	36	50	20.0 x 2.0
AOH NW 25 L 04	L	PN 160	28	6	M 36 x 2	M 12 x 1.5	34,0	32	41	14	26.0 x 2.0
AOH NW 25 L 06	L	PN 160	28	8	M 36 x 2	M 14 x 1.5	34,0	32	41	17	26.0 x 2.0
AOH NW 25 L 08	L	PN 160	28	10	M 36 x 2	M 16 x 1.5	35,0	32	41	19	26.0 x 2.0
AOH NW 25 L 10	L	PN 160	28	12	M 36 x 2	M 18 x 1.5	35,0	32	41	22	26.0 x 2.0
AOH NW 25 L 13	L	PN 160	28	15	M 36 x 2	M 22 x 1.5	36,0	32	41	27	26.0 x 2.0
AOH NW 25 L 16	L	PN 160	28	18	M 36 x 2	M 26 x 1.5	35,5	32	41	32	26.0 x 2.0
AOH NW 25 L 20	L	PN 160	28	22	M 36 x 2	M 30 x 2	37,5	32	41	36	26.0 x 2.0
AOH NW 25 L	L	PN 160	28	28	M 36 x 2	M 36 x 2	50,0	46	50	50	26.0 x 2.0
AOH NW 32 L 04	L	PN 160	35	6	M 12 x 1.5	M 45 x 2	38,5	41	50	14	32.0 x 2.5



Item											
Identification	Series	Operating pressure	Ø d1 (mm)	Ø d2 (mm)	G1	G2	L2 (mm)	AF (mm)	S1	S2	OR
AOH NW 32 L 06	L	PN 160	35	8	M 45 x 2	M 14 x 1.5	38,5	41	50	17	32.0 x 2.5
AOH NW 32 L 08	L	PN 160	35	10	M 45 x 2	M 16 x 1.5	39,5	41	50	19	32.0 x 2.5
AOH NW 32 L 10	L	PN 160	35	12	M 45 x 2	M 18 x 1.5	39,5	41	50	22	32.0 x 2.5
AOH NW 32 L 13	L	PN 160	35	15	M 45 x 2	M 22 x 1.5	39,5	41	50	27	32.0 x 2.5
AOH NW 32 L 16	L	PN 160	18	35	M 45 x 2	M 26 x 1.5	39,5	41	50	32	32.0 x 2.5
AOH NW 32 L 20	L	PN 160	35	22	M 45 x 2	M 30 x 2	41,5	41	50	36	32.0 x 2.5
AOH NW 32 L 25	L	PN 160	35	28	M 45 x 2	M 36 x 2	41,5	41	50	41	32.0 x 2.5
AOH NW 32 L	L	PN 160	35	35	M 45 x 2	M 45 x 2	50,0	46	50	50	32.0 x 2.5
AOH NW 40 L 04	L	PN 160	42	6	M 52 x 2	M 12 x 1.5	41,0	46	60	14	38.0 x 2.5
AOH NW 40 L 06	L	PN 160	42	8	M 52 x 2	M 14 x 1.5	41,0	46	60	17	38.0 x 2.5
AOH NW 40 L 08	L	PN 160	42	10	M 52 x 2	M 16 x 1.5	42,0	46	60	19	38.0 x 2.5
AOH NW 40 L 10	L	PN 160	42	12	M 52 x 2	M 18 x 1.5	42,0	46	60	22	38.0 x 2.5
AOH NW 40 L 13	L	PN 160	42	15	M 52 x 2	M 22 x 1.5	43,0	46	60	27	38.0 x 2.5
AOH NW 40 L 16	L	PN 160	42	18	M 52 x 2	M 26 x 1.5	42,0	50	60	32	38.0 x 2.5
AOH NW 40 L 20	L	PN 160	42	22	M 52 x 2	M 30 x 2	44,0	50	60	36	38.0 x 2.5
AOH NW 40 L 25	L	PN 160	42	28	M 52 x 2	M 36 x 2	44,0	50	60	41	38.0 x 2.5
AOH NW 40 L 32	L	PN 160	42	35	M 52 x 2	M 45 x 2	43,0	50	60	50	38.0 x 2.5
AOH NW 40 L	L	PN 160	42	42	M 52 x 2	M 52 x 2	60,0	55	60	60	38.0 x 2.5
AOH NW 16 L 13 S	L / S	PN 315	18	16	M 26 x 1.5	M 24 x 1.5	31,5	27	32	30	15.0 x 2.0
AOH NW 20 L 13 S	L / S	PN 160	22	16	M 30 x 2	M 24 x 1.5	34,5	27	36	30	20.0 x 2.0
AOH NW 20 L 16 S	L / S	PN 160	22	20	M 30 x 2	M 30 x 2	34,5	32	36	36	20.0 x 2.0
AOH NW 25 L 13 S	L / S	PN 160	28	16	M 36 x 2	M 24 x 1.5	54,5	32	41	30	26.0 x 2.0
AOH NW 25 L 20 S	L / S	PN 160	28	25	M 36 x 2	M 36 x 2	38,0	41	41	46	26.0 x 2.0
AOH NW 32 L 20 S	L / S	PN 160	35	25	M 45 x 2	M 36 x 2	40,0	41	50	46	32.0 x 2.5
AOH NW 32 L 25 S	L / S	PN 160	35	30	M 45 x 2	M 42 x 2	41,5	46	50	50	32.0 x 2.5
AOH NW 40 L 25 S	L / S	PN 160	42	30	M 52 x 2	M 42 x 2	44,0	50	60	50	38.0 x 2.5
AOH NW 40 L 32 S	L / S	PN 160	42	38	M 52 x 2	M 52 x 2	45,5	55	60	60	38.0 x 2.5
AOH NW 03 S	S	PN 630	6	6	M 14 x 1.5	M 14 x 1.5	36,0	14	17	17	4.5 x 1.5
AOH NW 04 S 03	S	PN 630	8	6	M 16 x 1.5	M 14 x 1.5	28,0	14	19	17	6.0 x 1.5
AOH NW 04 S	S	PN 630	8	8	M 16 x 1.5	M 16 x 1.5	36,0	17	19	19	6.0 x 1.5
AOH NW 06 S 03	S	PN 630	10	6	M 18 x 1.5	M 14 x 1.5	29,5	17	22	17	7.5 x 1.5
AOH NW 06 S 04	S	PN 630	10	8	M 18 x 1.5	M 16 x 1.5	29,5	17	22	19	7.5 x 1.5
AOH NW 06 S	S	PN 630	10	10	M 18 x 1.5	M 18 x 1.5	36,0	19	22	22	7.5 x 1.5
AOH NW 08 S 03	S	PN 630	12	6	M 20 x 1.5	M 14 x 1.5	30,0	17	24	17	9.0 x 1.5
AOH NW 08 S 04	S	PN 630	12	8	M 20 x 1.5	M 16 x 1.5	30,0	17	24	19	9.0 x 1.5
AOH NW 08 S 06	S	PN 630	12	10	M 20 x 1.5	M 18 x 1.5	30,5	19	24	22	9.0 x 1.5
AOH NW 08 S	S	PN 630	12	12	M 20 x 1.5	M 20 x 1.5	36,0	22	24	24	9.0 x 1.5
AOH NW 10 S 03	S	PN 630	14	6	M 22 x 1.5	M 14 x 1.5	33,0	19	27	17	10.0 x 2.0
AOH NW 10 S 04	S	PN 630	14	8	M 22 x 1.5	M 16 x 1.5	33,0	19	27	19	10.0 x 2.0
AOH NW 10 S 06	S	PN 630	14	10	M 22 x 1.5	M 18 x 1.5	32,5	19	27	22	10.0 x 2.0
AOH NW 10 S 08	S	PN 630	14	12	M 22 x 1.5	M 20 x 1.5	32,5	22	27	24	10.0 x 2.0
AOH NW 10 S	S	PN 630	14	14	M 22 x 1.5	M 22 x 1.5	40,0	24	27	27	10.0 x 2.0
AOH NW 13 S 03	S	PN 400	16	6	M 24 x 1.5	M 14 x 1.5	34,0	22	30	17	12.0 x 2.0
AOH NW 13 S 04	S	PN 400	16	8	M 24 x 1.5	M 16 x 1.5	34,0	22	30	19	12.0 x 2.0
AOH NW 13 S 06	S	PN 400	16	10	M 24 x 1.5	M 18 x 1.5	33,5	22	30	22	12.0 x 2.0
AOH NW 13 S 08	S	PN 400	16	12	M 24 x 1.5	M 20 x 1.5	33,5	22	30	24	12.0 x 2.0
AOH NW 13 S 10	S	PN 400	16	14	M 24 x 1.5	M 22 x 1.5	35,5	24	30	27	12.0 x 2.0
AOH NW 13 S	S	PN 400	16	16	M 24 x 1.5	M 24 x 1.5	40,0	27	30	30	12.0 x 2.0
AOH NW 16 S 03	S	PN 400	20	6	M 30 x 2	M 14 x 1.5	39,0	27	36	17	16.3 x 2.4
AOH NW 16 S 04	S	PN 400	20	8	M 30 x 2	M 16 x 1.5	39,0	27	36	19	16.3 x 2.4
AOH NW 16 S 06	S	PN 400	20	10	M 30 x 2	M 18 x 1.5	38,5	27	36	22	16.3 x 2.4
AOH NW 16 S 08	S	PN 400	20	12	M 30 x 2	M 20 x 1.5	38,5	27	36	24	16.3 x 2.4
AOH NW 16 S 10	S	PN 400	20	14	M 30 x 2	M 22 x 1.5	40,0	27	36	27	16.3 x 2.4
AOH NW 16 S 13	S	PN 400	20	16	M 30 x 2	M 24 x 1.5	39,5	27	36	30	16.3 x 2.4
AOH NW 16 S	S	PN 400	20	20	M 30 x 2	M 30 x 2	46,0	32	36	36	16.3 x 2.4
AOH NW 20 S 03	S	PN 400	25	6	M 36 x 2	M 14 x 1.5	41,5	32	46	17	20.3 x 2.4
AOH NW 20 S 04	S	PN 400	25	8	M 36 x 2	M 16 x 1.5	41,5	32	46	19	20.3 x 2.4
AOH NW 20 S 06	S	PN 400	25	10	M 36 x 2	M 18 x 1.5	41,0	32	46	22	20.3 x 2.4
AOH NW 20 S 08	S	PN 400	25	12	M 36 x 2	M 20 x 1.5	41,0	32	46	24	20.3 x 2.4
AOH NW 20 S 10	S	PN 400	25	14	M 36 x 2	M 22 x 1.5	42,5	32	46	27	20.3 x 2.4
AOH NW 20 S 13	S	PN 400	25	16	M 36 x 2	M 24 x 1.5	42,0	32	46	30	20.3 x 2.4



Item											
Identification	Series	Operating pressure	Ø d1 (mm)	Ø d2 (mm)	G1	G2	L2 (mm)	AF (mm)	S1	S2	OR
AOH NW 20 S 16	S	PN 400	25	20	M 36 x 2	M 30 x 2	42,0	32	46	36	20.3 x 2.4
AOH NW 20 S	S	PN 400	25	25	M 36 x 2	M 36 x 2	50,0	41	46	46	20.3 x 2.4
AOH NW 25 S 03	S	PN 400	30	6	M 42 x 2	M 14 x 1.5	44,5	36	50	17	25.3 x 2.4
AOH NW 25 S 04	S	PN 400	30	8	M 42 x 2	M 16 x 1.5	46,0	41	50	19	25.3 x 2.4
AOH NW 25 S 06	S	PN 400	30	10	M 42 x 2	M 18 x 1.5	45,5	41	50	22	25.3 x 2.4
AOH NW 25 S 08	S	PN 400	30	12	M 42 x 2	M 20 x 1.5	45,5	41	50	24	25.3 x 2.4
AOH NW 25 S 10	S	PN 400	30	14	M 42 x 2	M 22 x 1.5	47,0	41	50	27	25.3 x 2.4
AOH NW 25 S 13	S	PN 400	30	16	M 42 x 2	M 24 x 1.5	46,5	41	50	30	25.3 x 2.4
AOH NW 25 S 16	S	PN 400	30	20	M 42 x 2	M 30 x 2	46,5	41	50	36	25.3 x 2.4
AOH NW 25 S 20	S	PN 400	30	25	M 42 x 2	M 36 x 2	47,0	41	50	46	25.3 x 2.4
AOH NW 25 S	S	PN 400	30	30	M 42 x 2	M 42 x 2	56,0	46	50	50	25.3 x 2.4
AOH NW 32 S 03	S	PN 315	38	6	M 52 x 2	M 14 x 1.5	48,5	46	60	17	33.3 x 2.4
AOH NW 32 S 04	S	PN 315	38	8	M 52 x 2	M 16 x 1.5	48,5	46	60	19	33.3 x 2.4
AOH NW 32 S 06	S	PN 315	38	10	M 52 x 2	M 18 x 1.5	48,0	46	60	22	33.3 x 2.4
AOH NW 32 S 08	S	PN 315	38	12	M 52 x 2	M 20 x 1.5	50,0	50	60	24	33.3 x 2.4
AOH NW 32 S 10	S	PN 315	38	14	M 52 x 2	M 22 x 1.5	51,5	50	60	27	33.3 x 2.4
AOH NW 32 S 13	S	PN 315	38	16	M 24 x 1.5	M 52 x 2	51,0	50	60	30	33.3 x 2.4
AOH NW 32 S 16	S	PN 315	38	20	M 52 x 2	M 30 x 2	51,0	50	60	36	33.3 x 2.4
AOH NW 32 S 20	S	PN 315	38	25	M 52 x 2	M 36 x 2	51,5	50	60	46	33.3 x 2.4
AOH NW 32 S 25	S	PN 315	38	30	M 52 x 2	M 42 x 2	52,0	50	60	50	33.3 x 2.4
AOH NW 32 S	S	PN 315	38	38	M 52 x 2	M 52 x 2	60,0	55	60	60	33.3 x 2.4
AOH NW 13 S 13 L	S / L	PN 315	16	15	M 24 x 1.5	M 22 x 1.5	32,0	24	30	27	12.0 x 2.0
AOH NW 16 S 13 L	S / L	PN 315	20	15	M 30 x 2	M 22 x 1.5	36,0	27	36	27	16.3 x 2.4
AOH NW 16 S 16 L	S / L	PN 315	20	18	M 30 x 2	M 26 x 1.5	35,5	27	36	32	16.3 x 2.4
AOH NW 20 S 16 L	S / L	PN 315	25	18	M 42 x 2	M 26 x 1.5	38,0	32	46	32	20.3 x 2.4
AOH NW 20 S 20 L	S / L	PN 160	25	22	M 36 x 2	M 30 x 2	40,0	32	46	36	20.3 x 2.4
AOH NW 25 S 20 L	S / L	PN 160	30	22	M 42 x 2	M 30 x 2	45,5	41	50	36	25.3 x 2.4
AOH NW 25 S 25 L	S / L	PN 160	30	28	M 42 x 2	M 36 x 2	45,5	41	50	36	25.3 x 2.4
AOH NW 32 S 25 L	S / L	PN 160	38	28	M 52 x 2	M 36 x 2	49,0	50	60	41	33.3 x 2.4
AOH NW 32 S 32 L	S / L	PN 160	38	35	M 52 x 2	M 45 x 2	48,0	50	60	50	33.3 x 2.4

Series: LL = Very light L = Light S = Heavy - PN = Nominal pressure PB = Max. operating pressure - Ø d1 = External pipe diameter - Ø d2 = External pipe diameter

Product versions

AOH VA	Reducing fitting, Socket with union nut and cutting ring
XAOH	Reducing fitting, Socket (without union nut and cutting ring)