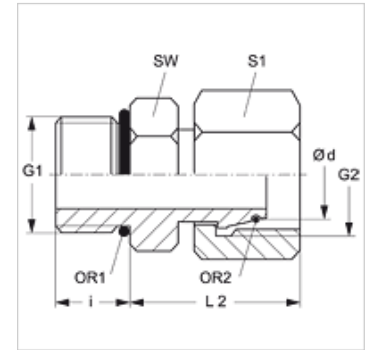
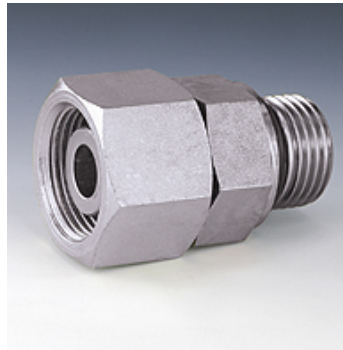


AOVR O

Screw-in fitting

Properties

Connection 1	BSP external thread, cylindrical
Sealing form 1	form G
Connection 2	metric nut thread
Sealing form 2	24° outer cone with O-ring
Design	Screw-in fitting
Construction	straight
Material	Steel
Surface	electro galvanised



Note

Information about fitting, installation, pressure loads and permissible operating temperatures can be found in the technical information for pipe fittings.

Item

Identification	Series	Operating pressure	Ø d (mm)	G1	G2	i (mm)	L2 (mm)	AF (mm)	S1	OR1	OR2
AOVR O NW 03 S	S	PN 630	6	G 1/4" -19	M 14 x 1.5	12	26,0	19	17	9.30 x 2.30	4.0 x 1.5
AOVR O NW 04 S	S	PN 630	8	G 1/4" -19	M 16 x 1.5	12	28,0	19	19	11.30 x 2.30	6.0 x 1.5
AOVR O NW 06 S	S	PN 630	10	G 3/8" -19	M 18 x 1.5	12	30,5	22	22	13.30 x 2.30	7.5 x 1.5
AOVR O NW 08 S	S	PN 630	12	G 3/8" -19	M 20 x 1.5	12	32,5	22	24	15.30 x 2.30	9.0 x 1.5
AOVR O NW 10 S	S	PN 630	14	G 1/2" -14	M 22 x 1.5	14	36,0	27	27	17.86 x 2.62	10.0 x 2.0
AOVR O NW 13 S	S	PN 400	16	G 1/2" -14	M 24 x 1.5	14	36,5	27	30	12.00 x 2.00	12.0 x 2.0
AOVR O NW 16 S	S	PN 400	20	G 3/4" -14	M 30 x 2	16	40,5	32	36	23.50 x 3.00	16.3 x 2.4
AOVR O NW 20 S	S	PN 400	25	G 1" -11	M 36 x 2	18	46,0	41	46	29.50 x 3.00	20.3 x 2.4
AOVR O NW 25 S	S	PN 250	30	G 1.1/4" -11	M 42 x 2	20	48,0	50	50	38.00 x 3.00	25.3 x 2.4
AOVR O NW 32 S	S	PN 250	38	G 1.1/2" -11	M 52 x 2	22	55,0	55	55	44.04 x 3.53	33.3 x 2.4

Series: LL = Very light L = Light S = Heavy – PN = Nominal pressure PB = Max. operating pressure – Ø d = External pipe diameter