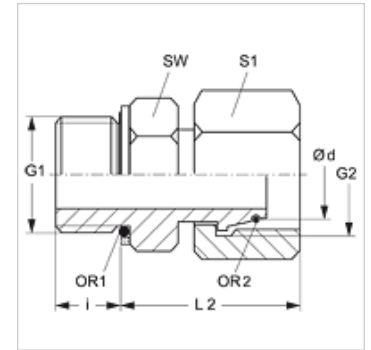


AOVR OK

Screw-in fitting

Properties

Connection 1	BSP external thread, cylindrical
Sealing form 1	O-ring and spacer diaphragm ring
Connection 2	metric nut thread
Sealing form 2	24° outer cone with O-ring
Design	Screw-in fitting
Construction	straight
Material	Steel
Surface	electro galvanised



Note

Information about fitting, installation, pressure loads and permissible operating temperatures can be found in the technical information for pipe fittings.

Item

Identification	Series	Operating pressure	Ø d (mm)	G1	G2	i (mm)	L2 (mm)	AF (mm)	S1	OR1	OR2
AOVR OK NW 03 S	S	PN 630	6	G 1/4" -19	M 14 x 1.5	10,5	27,5	19	17	9.30 x 2.30	4.0 x 1.5
AOVR OK NW 04 S	S	PN 630	8	G 1/4" -19	M 16 x 1.5	10,5	29,5	19	19	11.30 x 2.30	6.0 x 1.5
AOVR OK NW 06 S	S	PN 630	10	G 3/8" -19	M 18 x 1.5	10,5	32,0	22	22	13.30 x 2.30	7.5 x 1.5
AOVR OK NW 08 S	S	PN 630	12	G 3/8" -19	M 20 x 1.5	10,5	34,0	22	24	15.30 x 2.30	9.0 x 1.5
AOVR OK NW 10 S	S	PN 630	14	G 1/2" -14	M 22 x 1.5	12,0	38,0	27	27	17.86 x 2.62	10.0 x 2.0
AOVR OK NW 13 S	S	PN 400	16	G 1/2" -14	M 24 x 1.5	12,0	38,5	27	30	12.00 x 2.00	12.0 x 2.0
AOVR OK NW 16 S	S	PN 400	20	G 3/4" -14	M 30 x 2	14,0	42,5	32	36	23.50 x 3.00	16.3 x 2.4
AOVR OK NW 20 S	S	PN 400	25	G 1" -11	M 36 x 2	15,5	48,5	41	46	29.50 x 3.00	20.3 x 2.4
AOVR OK NW 32 S	S	PN 250	38	G 1.1/2" -11	M 52 x 2	19,5	57,5	55	60	44.04 x 3.53	33.3 x 2.4

Series: LL = Very light L = Light S = Heavy – PN = Nominal pressure PB = Max. operating pressure – Ø d = External pipe diameter

Spare parts

KAMMRING G	Spacer diaphragm ring, imperial
-------------------	---------------------------------