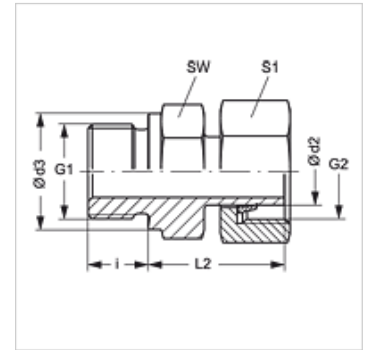


## Properties

<b>Connection 1</b>	metric cylindrical outer thread
<b>Sealing form 1</b>	Shape B
<b>Connection 2</b>	metric nut thread
<b>Sealing form 2</b>	Pipe socket with cutting ring
<b>Design</b>	Screw-in fitting
<b>Construction</b>	straight
<b>Standard</b>	DIN 2353 ISO 8434-1
<b>Scope of supply</b>	Pipe socket with union nut and pre-assembled cutting ring
<b>Material</b>	Stainless steel



## Note

Information about fitting, installation, pressure loads and permissible operating temperatures can be found in the technical information for pipe fittings.

## Item

Identification	Series	Operating pressure	Ø d2 (mm)	G1	G2	Ø d3 (mm)	i (mm)	L2 (mm)	AF (mm)	S1
AVM NW 04 L VA	L	PN 315	6	M 10 x 1	M 12 x 1.5	14	8	24,5	14	14
AVM NW 06 L VA	L	PN 315	8	M 12 x 1.5	M 14 x 1.5	17	12	26,5	17	17
AVM NW 08 L VA	L	PN 315	10	M 14 x 1.5	M 16 x 1.5	19	12	27,5	19	19
AVM NW 10 L VA	L	PN 315	12	M 16 x 1.5	M 18 x 1.5	21	12	30,5	22	22
AVM NW 13 L VA	L	PN 315	15	M 18 x 1.5	M 22 x 1.5	23	14	31,5	24	27
AVM NW 16 L VA	L	PN 315	18	M 22 x 1.5	M 26 x 1.5	27	14	31,5	27	32
AVM NW 20 L VA	L	PN 160	22	M 26 x 1.5	M 30 x 2	31	16	32,5	32	36
AVM NW 25 L VA	L	PN 160	28	M 33 x 2	M 36 x 2	39	18	35,0	41	41
AVM NW 32 L VA	L	PN 160	35	M 42 x 2	M 45 x 2	49	20	42,5	50	50
AVM NW 40 L VA	L	PN 250	42	M 48 x 2	M 52 x 2	55	22	46,5	55	60
AVM NW 03 S VA	S	PN 630	6	M 12 x 1.5	M 14 x 1.5	17	12	27,0	17	17
AVM NW 04 S VA	S	PN 630	8	M 14 x 1.5	M 16 x 1.5	19	12	29,5	19	19
AVM NW 06 S VA	S	PN 630	10	M 16 x 1.5	M 18 x 1.5	21	12	32,0	22	22
AVM NW 08 S VA	S	PN 630	12	M 18 x 1.5	M 20 x 1.5	23	12	34,0	24	24
AVM NW 10 S VA	S	PN 630	14	M 20 x 1.5	M 22 x 1.5	25	14	36,5	27	27
AVM NW 13 S VA	S	PN 400	16	M 22 x 1.5	M 24 x 1.5	27	14	37,0	27	30
AVM NW 16 S VA	S	PN 400	20	M 27 x 2	M 30 x 2	32	16	43,0	32	36
AVM NW 20 S VA	S	PN 400	25	M 33 x 2	M 36 x 2	39	18	48,0	41	46
AVM NW 25 S VA	S	PN 250	30	M 42 x 2	M 42 x 2	49	20	51,0	50	50
AVM NW 32 S VA	S	PN 250	38	M 48 x 2	M 52 x 2	55	22	60,0	55	60

Series: LL = Very light L = Light S = Heavy - PN = Nominal pressure PB = Max. operating pressure - Ø d2 = External pipe diameter

## Product versions

AVM Screw-in fitting, Steel