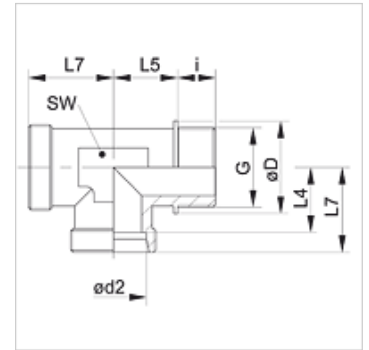


XLR VA

Screw-in fitting, L shaped

Properties

Connection 1	BSP external thread, cylindrical
Sealing form 1	Shape B
Connection 2 + 3	metric cylindrical outer thread
Sealing form 2 + 3	24° inner cone
Design	Screw-in fitting
Construction	L shaped
Standard	DIN 2353
Scope of supply	Socket (without union nut and cutting ring)
Material	Stainless steel



Note

Information about fitting, installation, pressure loads and permissible operating temperatures can be found in the technical information for pipe fittings.

Item

Identification	Series	Operating pressure	Ø d2 (mm)	G	Ø D (mm)	i (mm)	L4 (mm)	L5 (mm)	L7 (mm)	AF (mm)
XLR NW 20 HL VA	L	PN 160	22	G 3/4" -14	32,0	16	27,5	26	35	27
XLR NW 25 HL VA	L	PN 160	28	G 1" -11	39,0	18	30,5	30	38	36
XLR NW 32 HL VA	L	PN 160	35	G 1.1/4" -11	49,0	20	34,5	34	45	41
XLR NW 40 HL VA	L	PN 160	42	G 1.1/2" -11	55,0	22	40,0	39	51	50
XLR NW 16 HS VA	S	PN 400	20	G 3/4" -14	32,0	16	26,5	26	37	27
XLR NW 20 HS VA	S	PN 400	25	G 1" -11	39,0	18	30,0	30	42	36
XLR NW 25 HS VA	S	PN 250	30	G 1.1/4" -11	49,0	20	35,5	34	49	41
XLR NW 32 HS VA	S	PN 250	38	G 1.1/2" -11	55,0	22	41,0	39	57	50

Series: LL = Very light L = Light S = Heavy – PN = Nominal pressure PB = Max. operating pressure – Ø d2 = External pipe diameter

Product versions

XLR	Screw-in fitting, L shaped, Steel
LR VA	Screw-in fitting, L shaped, Stainless steel