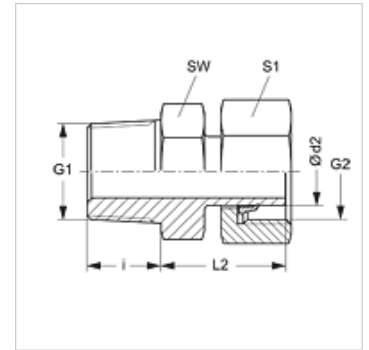


Properties

Connection 1	NPT external threads
Sealing form 1	thread seal
Connection 2	metric nut thread
Sealing form 2	Pipe socket with cutting ring
Design	Screw-in fitting
Construction	straight
Standard	DIN 2353 ISO 8434-1
Scope of supply	Pipe socket with union nut and pre-assembled cutting ring
Material	Stainless steel



Note

Information about fitting, installation, pressure loads and permissible operating temperatures can be found in the technical information for pipe fittings.

Item

Identification	Series	Operating pressure	Ø d2 (mm)	G1	G2	i (mm)	L2 (mm)	AF (mm)	S1
AVN NW 04 L VA	L	PN 315	6	1/8" -27 NPT	M 12 x 1.5	9,9	23,1	11	14
AVN NW 04 L 1/4 VA	L	PN 315	6	1/4" -18 NPT	M 12 x 1.5	15,0	25,0	14	14
AVN NW 06 L VA	L	PN 315	8	1/4" -18 NPT	M 14 x 1.5	15,1	23,9	14	17
AVN NW 08 L VA	L	PN 315	10	1/4" -18 NPT	M 16 x 1.5	15,1	25,4	17	19
AVN NW 10 L 1/4 VA	L	PN 315	12	1/4" -18 NPT	M 18 x 1.5	15,0	27,0	14	19
AVN NW 10 L VA	L	PN 315	12	3/8" -18 NPT	M 18 x 1.5	15,2	26,2	19	22
AVN NW 10 L 1/2 VA	L	PN 315	12	1/2" -14 NPT	M 18 x 1.5	20,0	30,0	22	22
AVN NW 13 L 3/8 VA	L	PN 315	15	3/8" -18 NPT	M 22 x 1.5	15,3	48,0	19	27
AVN NW 13 L VA	L	PN 315	15	1/2" -14 NPT	M 22 x 1.5	19,8	28,2	22	27
AVN NW 16 L VA	L	PN 315	18	1/2" -14 NPT	M 26 x 1.5	20,1	28,7	27	32
AVN NW 20 L VA	L	PN 160	22	3/4" -14 NPT	M 30 x 2	25,0	28,9	27	36
AVN NW 25 L VA	L	PN 160	28	1" -11.5 NPT	M 36 x 2	25,6	30,5	36	41
AVN NW 32 L VA	L	PN 160	35	1.1/4" -11.5 NPT	M 45 x 2	26,0	37,4	46	50
AVN NW 40 L VA	L	PN 160	42	1.1/2" -11.5 NPT	M 52 x 2	15,1	39,0	50	60
AVN NW 03 S VA	S	PN 630	6	1/4" -18 NPT	M 14 x 1.5	15,1	24,9	14	17
AVN NW 04 S VA	S	PN 630	8	1/4" -18 NPT	M 16 x 1.5	15,2	24,9	14	19
AVN NW 06 S 1/4 VA	S	PN 630	10	1/4" -18 NPT	M 18 x 1.5	15,0	24,5	14	22
AVN NW 06 S VA	S	PN 630	10	3/8" -18 NPT	M 18 x 1.5	15,2	29,3	19	22
AVN NW 08 S 1/4 VA	S	PN 630	12	1/4" -18 NPT	M 20 x 1.5	15,0	27,0	14	24
AVN NW 08 S VA	S	PN 630	12	3/8" -18 NPT	M 20 x 1.5	19,8	28,3	19	24
AVN NW 08 S 1/2 VA	S	PN 630	12	1/2" -14 NPT	M 20 x 1.5	20,0	30,0	22	24
AVN NW 10 S VA	S	PN 630	14	1/2" -14 NPT	M 22 x 1.5	19,8	33,2	22	27
AVN NW 13 S VA	S	PN 400	16	1/2" -14 NPT	M 24 x 1.5	20,1	33,7	22	30
AVN NW 16 S VA	S	PN 400	20	3/4" -14 NPT	M 30 x 2	25,0	37,9	27	36
AVN NW 20 S VA	S	PN 400	25	1" -11.5 NPT	M 36 x 1.5	25,0	43,5	36	46
AVN NW 25 S VA	S	PN 400	30	1.1/4" -11.5 NPT	M 42 x 2	25,6	47,9	46	50
AVN NW 32 S VA	S	PN 315	38	1.1/2" -11.5 NPT	M 52 x 2	26,0	52,0	50	60

Series: LL = Very light L = Light S = Heavy - PN = Nominal pressure PB = Max. operating pressure - Ø d2 = External pipe diameter

Product versions

AVN Screw-in fitting, Steel