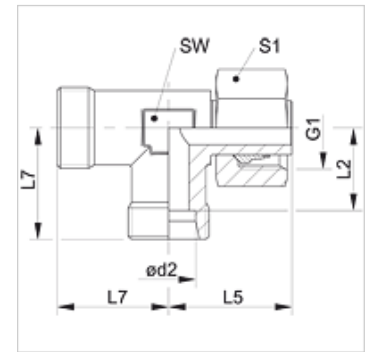


XVEL VA

Fitting, L shaped

Properties

Connection 1	metric nut thread
Sealing form 1	Pipe socket, pre-assembled
Connection 2 + 3	metric cylindrical outer thread
Sealing form 2 + 3	24° inner cone
Design	Adjustable direction fitting
Construction	L shaped
Standard	DIN 3954
Scope of supply	Socket (without union nut and cutting ring) pre-assembled
Material	Stainless steel



Note

Information about fitting, installation, pressure loads and permissible operating temperatures can be found in the technical information for pipe fittings.

Item

Identification	Series	Operating pressure	Ø d2 (mm)	G1	L2 (mm)	L5 (mm)	L7 (mm)	AF (mm)	S1
XVEL NW 04 HL VA	L	PN 315	6	M 12 x 1.5	12,0	26,0	19	12	14
XVEL NW 06 HL VA	L	PN 315	8	M 14 x 1.5	14,0	27,5	21	12	17
XVEL NW 08 HL VA	L	PN 315	10	M 16 x 1.5	15,0	29,0	22	14	19
XVEL NW 10 HL VA	L	PN 315	12	M 18 x 1.5	17,0	29,5	24	17	22
XVEL NW 13 HL VA	L	PN 315	15	M 22 x 1.5	21,0	32,5	28	19	27
XVEL NW 16 HL VA	L	PN 315	18	M 26 x 1.5	23,5	35,5	31	24	32
XVEL NW 20 HL VA	L	PN 160	22	M 30 x 2	27,5	38,5	35	27	36
XVEL NW 25 HL VA	L	PN 160	28	M 36 x 2	30,5	41,5	38	36	41
XVEL NW 32 HL VA	L	PN 160	35	M 45 x 2	34,5	51,0	45	41	50
XVEL NW 40 HL VA	L	PN 160	42	M 52 x 2	40,0	56,0	51	50	60
XVEL NW 03 HS VA	S	PN 630	6	M 14 x 1.5	16,0	27,0	23	12	17
XVEL NW 04 HS VA	S	PN 630	8	M 16 x 1.5	17,0	27,5	24	14	19
XVEL NW 06 HS VA	S	PN 630	10	M 18 x 1.5	17,5	30,0	25	17	22
XVEL NW 08 HS VA	S	PN 630	12	M 20 x 1.5	21,5	31,0	29	17	24
XVEL NW 10 HS VA	S	PN 630	14	M 22 x 1.5	22,0	35,0	30	19	27
XVEL NW 13 HS VA	S	PN 400	16	M 24 x 1.5	24,5	36,5	33	24	30
XVEL NW 16 HS VA	S	PN 400	20	M 30 x 2	26,5	44,5	37	27	36
XVEL NW 20 HS VA	S	PN 400	25	M 36 x 2	30,0	50,0	42	36	46
XVEL NW 25 HS VA	S	PN 400	30	M 42 x 2	35,5	55,0	49	41	50
XVEL NW 32 HS VA	S	PN 315	38	M 52 x 2	41,0	63,0	57	50	60

Series: LL = Very light L = Light S = Heavy - PN = Nominal pressure PB = Max. operating pressure - Ø d2 = External pipe diameter

Product versions

XVEL	Fitting, L shaped, Steel
VEL VA	Fitting, L shaped, Stainless steel