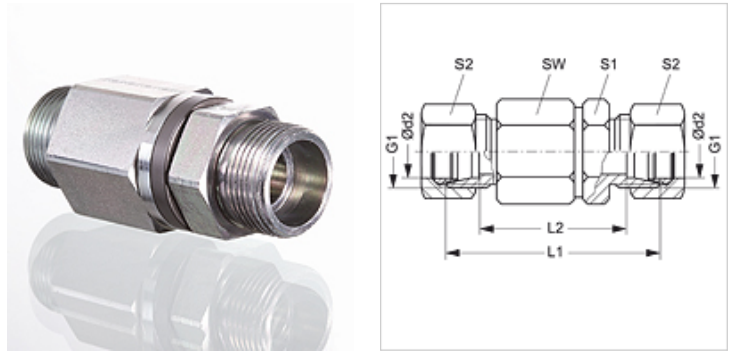


Properties

Connection 1	metric cylindrical outer thread
Sealing form 1	24° inner cone
Connection 2	metric cylindrical outer thread
Sealing form 2	24° inner cone
Design	Rotary fitting
Construction type	Ball bearing
Construction	straight
Scope of supply	Socket (without union nut and cutting ring)
Material	Steel
Surface	electro galvanised



Note

Information about fitting, installation, pressure loads and permissible operating temperatures can be found in the technical information for pipe fittings.

Item

Identification	Series	Operating pressure	Ø d2 (mm)	G1	L1 (mm)	L2 (mm)	AF (mm)	S1	S2
DG NW 03 HS	S	PN 250	6	M 14 x 1.5	61	47	22	17	17
DG NW 04 HS	S	PN 250	8	M 16 x 1.5	61	47	22	17	19
DG NW 08 HS	S	PN 250	12	M 20 x 1.5	72	57	30	24	24
DG NW 13 HS	S	PN 250	16	M 24 x 1.5	74	57	30	27	30
DG NW 16 HS	S	PN 250	20	M 30 x 2	92	71	41	36	36
DG NW 20 HS	S	PN 250	25	M 36 x 2	96	72	41	41	46
DG NW 25 HS	S	PN 250	30	M 42 x 2	109	82	60	46	50
DG NW 32 HS	S	PN 250	38	M 52 x 2	114	82	60	55	60

Series: LL = Very light L = Light S = Heavy - PN = Nominal pressure PB = Max. operating pressure - Ø d2 = External pipe diameter