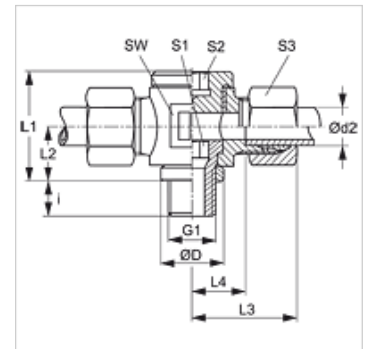


Properties

Connection 1	metric cylindrical outer thread
Sealing form 1	Edge sealing ring
Connection 2 + 3	metric cylindrical outer thread
Sealing form 2 + 3	24° inner cone
Design	Banjo coupling, throttle free
Construction	T shaped
Standard	DIN 3865
Scope of supply	Socket with union nut and cutting ring
Material	Steel
Surface	electro galvanised



Note

Information about fitting, installation, pressure loads and permissible operating temperatures can be found in the technical information for pipe fittings.

Item

Identification	Series	Operating pressure	Ø d2 (mm)	G1	Ø D (mm)	i (mm)	L1 (mm)	L2 (mm)	L3 (mm)	L4 (mm)	AF (mm)	S1	S2	S3
DTM NW 04 HL	L	PN 160	6	M 10 x 1	14	8	24	12	27	12,0	19	6	6	14
DTM NW 06 HL	L	PN 160	8	M 12 x 1.5	17	12	27	14	28	13,0	22	6	6	17
DTM NW 08 HL	L	PN 100	10	M 14 x 1.5	19	12	30	15	30	15,0	22	8	8	19
DTM NW 10 HL	L	PN 100	12	M 16 x 1.5	21	12	36	18	32	17,5	27	10	10	22
DTM NW 13 HL	L	PN 100	15	M 18 x 1.5	23	12	39	19	35	20,0	30	12	12	27
DTM NW 16 HL	L	PN 100	18	M 22 x 1.5	27	14	41	20	37	20,5	32	14	14	32
DTM NW 20 HL	L	PN 100	22	M 26 x 1.5	31	16	46	22	41	24,5	36	17	17	36
DTM NW 25 HL	L	PN 100	28	M 33 x 2	39	18	58	29	46	29,5	46	22	22	41
DTM NW 32 HL	L	PN 63	35	M 42 x 2	49	20	69	33	55	33,0	55	27	27	50
DTM NW 40 HL	L	PN 63	42	M 48 x 2	55	22	84	41	63	40,0	70	32	32	60
DTM NW 03 HS	S	PN 160	6	M 12 x 1.5	17	12	27	14	30	15,0	22	6	6	17
DTM NW 04 HS	S	PN 160	8	M 14 x 1.5	19	12	30	15	31	16,0	22	8	8	19
DTM NW 06 HS	S	PN 100	10	M 16 x 1.5	21	12	36	18	34	18,0	27	10	10	22
DTM NW 08 HS	S	PN 100	12	M 18 x 1.5	23	12	39	19	36	26,0	30	12	12	24
DTM NW 10 HS	S	PN 100	14	M 20 x 1.5	25	14	41	20	40	22,0	32	12	12	27
DTM NW 13 HS	S	PN 100	16	M 22 x 1.5	27	14	45	22	42	23,5	36	14	14	30
DTM NW 16 HS	S	PN 100	20	M 27 x 2	32	16	58	28	50	28,5	46	17	17	36
DTM NW 20 HS	S	PN 100	25	M 33 x 2	39	18	62	31	55	31,0	50	22	22	46
DTM NW 25 HS	S	PN 63	30	M 42 x 2	49	20	74	36	63	36,5	60	27	27	50
DTM NW 32 HS	S	PN 63	38	M 48 x 2	55	22	84	41	72	41,0	70	32	32	60

Series: LL = Very light L = Light S = Heavy – PN = Nominal pressure PB = Max. operating pressure – Ø d2 = External pipe diameter

Product versions

DTM VA	Banjo fitting, throttle free, T shaped, Stainless steel
XDTM	Banjo fitting, throttle free, T shaped, Steel