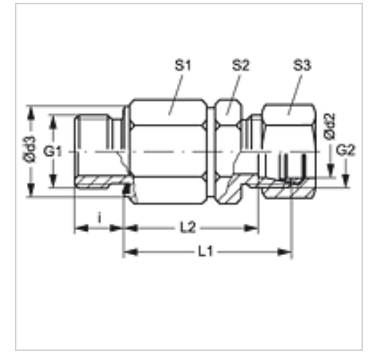


Properties

Connection 1	metric cylindrical outer thread
Sealing form 1	Shape E
Connection 2	metric cylindrical outer thread
Sealing form 2	24° inner cone
Design	Rotary fitting (screw-in connector)
Construction type	Ball bearing
Construction	straight
Scope of supply	Socket (without union nut and cutting ring)
Material	Steel
Surface	electro galvanised



Note

Information about fitting, installation, pressure loads and permissible operating temperatures can be found in the technical information for pipe fittings.

Item

Identification	Series	Operating pressure	Ø d2 (mm)	G1	G2	i (mm)	Ø d3 (mm)	L1 (mm)	L2 (mm)	S1	S2	S3
DGM NW 03 HS 14	S	PN 250	6	M 14 x 1.5	M 14 x 1.5	12	19	49	42,0	22	17	17
DGM NW 04 HS	S	PN 250	8	M 14 x 1.5	M 16 x 1.5	12	19	49	42,0	22	17	19
DGM NW 08 HS	S	PN 250	12	M 18 x 1.5	M 20 x 1.5	12	24	60	52,5	30	24	24
DGM NW 13 HS	S	PN 250	16	M 22 x 1.5	M 24 x 1.5	14	27	60	51,5	30	27	30
DGM NW 16 HS	S	PN 250	20	M 27 x 2	M 30 x 2	16	32	76	65,5	41	36	36
DGM NW 20 HS	S	PN 250	25	M 33 x 2	M 36 x 2	18	40	78	66,0	41	41	46
DGM NW 25 HS	S	PN 250	30	M 42 x 2	M 42 x 2	20	50	89	75,5	60	46	50
DGM NW 32 HS	S	PN 250	38	M 48 x 2	M 52 x 2	22	55	92	76,0	60	55	60

Series: LL = Very light L = Light S = Heavy – PN = Nominal pressure PB = Max. operating pressure – Ø d2 = External pipe diameter