

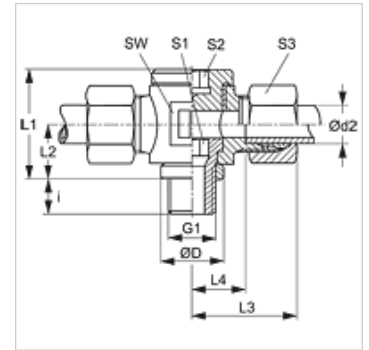
DTR VA

Banjo fitting, throttle free, T shaped

HANSA FLEX

Properties

Connection 1	BSP external thread, cylindrical
Sealing form 1	Edge sealing ring
Connection 2 + 3	metric cylindrical outer thread
Sealing form 2 + 3	24° inner cone
Design	Banjo coupling, throttle free
Construction	T shaped
Standard	DIN 3865
Scope of supply	Socket with union nut and cutting ring
Material	Stainless steel



Note

Information about fitting, installation, pressure loads and permissible operating temperatures can be found in the technical information for pipe fittings.

Item

Identification	Series	Operating pressure	Ø d2 (mm)	G1	Ø D (mm)	i (mm)	L1 (mm)	L2 (mm)	L3 (mm)	L4 (mm)	AF (mm)	S1	S2	S3
DTR NW 06 HL VA	L	PN 160	8	G 1/4" -19	18	12	30	15	29	14,0	22	8	8	17
DTR NW 13 HL VA	L	PN 100	15	G 1/2" -14	26	14	40	20	35	20,0	30	12	12	27

Series: LL = Very light L = Light S = Heavy - PN = Nominal pressure PB = Max. operating pressure - Ø d2 = External pipe diameter

Product versions

DTR VA	Banjo fitting, throttle free, T shaped, Stainless steel
XDTR VA	Banjo fitting, throttle free, T shaped, Stainless steel