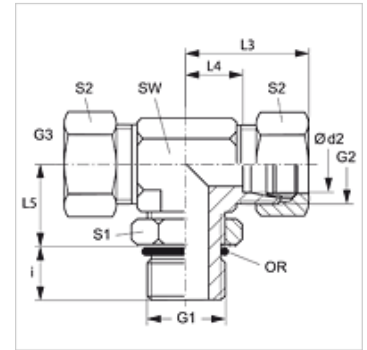


Properties

Connection 1	UN/UNF external threads
Sealing form 1	Shape F
Connection 2 + 3	metric cylindrical outer thread
Sealing form 2 + 3	24° inner cone
Design	Adjustable direction screw-in fitting
Construction	T shaped
Scope of supply	Socket with union nut and cutting ring
Material	Steel
Surface	electro galvanised



Note

Information about fitting, installation, pressure loads and permissible operating temperatures can be found in the technical information for pipe fittings.

Item

Identification	Series	Operating pressure	Ø d2 (mm)	G1	G2 + G3	i (mm)	L3 (mm)	L4 (mm)	L5 (mm)	AF (mm)	S1	S2	OR
ETO NW 04 HL 7/16	L	PN 315	6	7/16"-20 UNF	M 12 x 1.5	10	29	14	19	14	14	14	8.92 x 1.83
ETO NW 06 HL 7/16	L	PN 315	8	7/16"-20 UNF	M 14 x 1.5	10	31	16	19	14	14	17	8.92 x 1.83
ETO NW 06 HL 1/2	L	PN 315	8	1/2"-20 UNF	M 14 x 1.5	10	31	16	19	14	17	17	10.52 x 1.83
ETO NW 08 HL 9/16	L	PN 315	10	9/16"-18 UNF	M 16 x 1.5	10	32	17	24	19	17	19	11.90 x 1.98
ETO NW 10 HL 9/16	L	PN 315	12	9/16"-18 UNF	M 18 x 1.5	11	34	19	25	19	17	22	11.90 x 1.98
ETO NW 10 HL 3/4	L	PN 315	12	3/4"-16 UNF	M 18 x 1.5	13	34	19	25	19	22	22	16.36 x 2.20
ETO NW 13 HL 3/4	L	PN 315	15	3/4"-16 UNF	M 22 x 1.5	13	36	21	28	22	22	27	16.36 x 2.20
ETO NW 13 HL 7/8	L	PN 315	15	7/8" -14 UNF	M 22 x 1.5	15	36	21	28	22	27	27	19.18 x 2.46
ETO NW 16 HL 7/8	L	PN 315	18	7/8" -14 UNF	M 26 x 1.5	15	40	24	32	27	27	32	19.18 x 2.46
ETO NW 16 HL 1 1/16	L	PN 315	18	1.1/16" -12 UN	M 26 x 1.5	17	40	24	32	30	32	32	23.47 x 2.95
ETO NW 20 HL 1 1/16	L	PN 160	22	1.1/16" -12 UN	M 30 x 2	17	44	28	35	30	32	36	23.47 x 2.95
ETO NW 25 HL 1 5/16	L	PN 160	28	1.5/16" -12 UN	M 36 x 2	17	47	31	42	36	41	41	29.74 x 2.95
ETO NW 32 HL 1 5/8	L	PN 160	35	1.5/8" -12 UN	M 45 x 2	17	59	38	46	50	50	50	37.47 x 3.00
ETO NW 40 HL 1 7/8	L	PN 160	42	1.7/8" -12 UN	M 52 x 2	17	61	38	47	50	55	60	43.69 x 3.00
ETO NW 03 HS 7/16	S	PN 400	6	7/16"-20 UNF	M 14 x 1.5	12	30	15	20	14	14	17	8.92 x 1.83
ETO NW 04 HS 1/2	S	PN 400	8	1/2"-20 UNF	M 16 x 1.5	12	32	19	25	19	17	19	10.52 x 1.83
ETO NW 04 HS 9/16	S	PN 400	8	9/16"-18 UNF	M 16 x 1.5	12	32	17	25	19	17	19	11.90 x 1.98
ETO NW 06 HS 9/16	S	PN 400	10	9/16"-18 UNF	M 18 x 1.5	12	34	18	26	19	17	22	11.90 x 1.98
ETO NW 08 HS 3/4	S	PN 400	12	3/4"-16 UNF	M 20 x 1.5	14	38	22	30	22	22	24	16.36 x 2.20
ETO NW 13 HS 7/8	S	PN 400	16	7/8" -14 UNF	M 24 x 1.5	16	43	25	34	27	27	30	19.18 x 2.46
ETO NW 16 HS 1 1/16	S	PN 400	20	1.1/16" -12 UN	M 30 x 2	19	49	28	37	30	32	36	23.47 x 2.95
ETO NW 20 HS 1 1/16	S	PN 400	25	1.1/16" -12 UN	M 36 x 2	19	54	30	50	36	32	46	23.47 x 2.95
ETO NW 20 HS 1 5/16	S	PN 250	25	1.5/16" -12 UN	M 36 x 2	19	54	30	50	36	41	46	29.74 x 2.95
ETO NW 25 HS 1 5/8	S	PN 250	30	1.5/8" -12 UN	M 42 x 2	19	62	36	50	50	50	50	37.47 x 3.00
ETO NW 32 HS 1 7/8	S	PN 250	38	1.7/8" -12 UN	M 52 x 2	19	65	34	51	50	55	60	43.69 x 3.00

Series: LL = Very light L = Light S = Heavy – PN = Nominal pressure PB = Max. operating pressure – Ø d2 = External pipe diameter

Product versions

XETO Screw-in fitting, T shaped, Socket (without union nut and cutting ring)