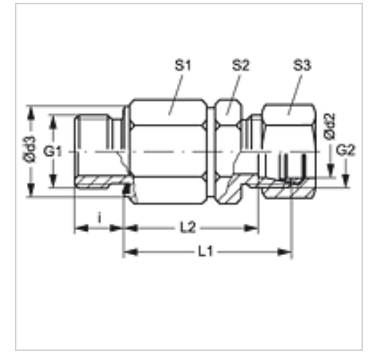


Properties

Connection 1	BSP external thread, cylindrical
Sealing form 1	Shape E
Connection 2	metric cylindrical outer thread
Sealing form 2	24° inner cone
Design	Rotary fitting (screw-in connector)
Construction type	Ball bearing
Construction	straight
Scope of supply	Socket with union nut and cutting ring
Material	Steel
Surface	electro galvanised



Note

Information about fitting, installation, pressure loads and permissible operating temperatures can be found in the technical information for pipe fittings.

Item

Identification	Series	Operating pressure	Ø d2 (mm)	G1	G2	i (mm)	Ø d3 (mm)	L1 (mm)	L2 (mm)	S1	S2	S3
DGR NW 03 HS	S	PN 250	6	G 1/4" -19	M 14 x 1.5	12	19	49	42,0	22	17	17
DGR NW 04 HS	S	PN 250	8	G 1/4" -19	M 16 x 1.5	12	19	49	42,0	22	17	19
DGR NW 08 HS	S	PN 250	12	G 3/8" -19	M 20 x 1.5	12	22	60	52,5	30	24	24
DGR NW 13 HS	S	PN 250	16	G 1/2" -14	M 24 x 1.5	14	27	60	54,5	30	27	30
DGR NW 16 HS	S	PN 250	20	G 3/4" -14	M 30 x 2	16	32	76	65,5	41	36	36
DGR NW 20 HS	S	PN 250	25	G 1" -11	M 36 x 2	18	40	78	66,0	41	41	46
DGR NW 25 HS	S	PN 250	30	G 1.1/4" -11	M 42 x 2	20	50	89	75,5	60	46	50
DGR NW 32 HS	S	PN 250	38	G 1.1/2" -11	M 52 x 2	22	55	92	76,0	60	55	60

Series: LL = Very light L = Light S = Heavy – PN = Nominal pressure PB = Max. operating pressure – Ø d2 = External pipe diameter