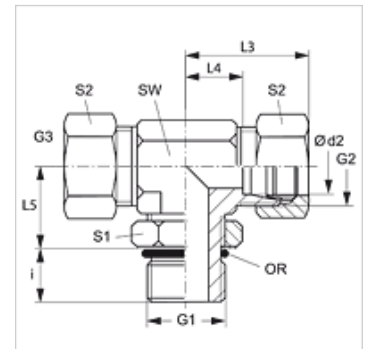


Properties

Connection 1	metric cylindrical outer thread
Sealing form 1	Shape F
Connection 2 + 3	metric cylindrical outer thread
Sealing form 2 + 3	24° inner cone
Design	Adjustable direction screw-in fitting
Construction	T shaped
Scope of supply	Socket with union nut and cutting ring
Material	Steel
Surface	electro galvanised



Note

Information about fitting, installation, pressure loads and permissible operating temperatures can be found in the technical information for pipe fittings.

Item

Identification	Series	Operating pressure	Ø d2 (mm)	G1	G2 + G3	i (mm)	L3 (mm)	L4 (mm)	L5 (mm)	AF (mm)	S1	S2	OR
ETOM NW 04 HL	L	PN 315	6	M 10 x 1	M 12 x 1.5	7	29	14	20	14	14	14	8.1 x 1.6
ETOM NW 06 HL	L	PN 315	8	M 12 x 1.5	M 14 x 1.5	10	31	16	22	14	17	17	9.3 x 2.4
ETOM NW 08 HL	L	PN 315	10	M 14 x 1.5	M 16 x 1.5	10	32	17	25	19	19	19	11.3 x 2.4
ETOM NW 10 HL	L	PN 315	12	M 16 x 1.5	M 18 x 1.5	10	34	19	26	19	22	22	13.3 x 2.4
ETOM NW 13 HL	L	PN 315	15	M 18 x 1.5	M 22 x 1.5	11	36	21	30	22	24	27	15.3 x 2.4
ETOM NW 16 HL	L	PN 315	18	M 22 x 1.5	M 26 x 1.5	12	40	24	33	27	27	32	19.3 x 2.4
ETOM NW 20 HL 27	L	PN 160	22	M 27 x 2	M 30 x 2	14	44	28	35	30	32	36	23.6 x 2.9
ETOM NW 25 HL	L	PN 160	28	M 33 x 2	M 36 x 2	14	47	31	38	36	41	41	29.5 x 3.0
ETOM NW 32 HL	L	PN 160	35	M 42 x 2	M 45 x 2	14	59	38	48	50	50	50	38.0 x 3.0
ETOM NW 40 HL	L	PN 160	42	M 48 x 2	M 52 x 2	16	61	38	49	50	55	60	44.5 x 3.0
ETOM NW 03 HS	L	PN 400	6	M 12 x 1.5	M 14 x 1.5	10	30	15	22	14	17	17	9.3 x 2.4
ETOM NW 04 HS	S	PN 400	8	M 14 x 1.5	M 16 x 1.5	10	32	17	26	19	19	19	11.3 x 2.4
ETOM NW 06 HS	S	PN 400	10	M 16 x 1.5	M 18 x 1.5	11	34	19	27	19	22	22	13.3 x 2.4
ETOM NW 08 HS	S	PN 400	12	M 18 x 1.5	M 20 x 1.5	12	38	22	31	22	24	24	15.3 x 2.4
ETOM NW 13 HS	S	PN 400	16	M 22 x 1.5	M 24 x 1.5	14	43	25	35	27	27	30	19.3 x 2.4
ETOM NW 16 HS	S	PN 400	20	M 27 x 2	M 30 x 2	16	49	28	39	30	32	36	23.6 x 2.9
ETOM NW 20 HS	S	PN 315	25	M 33 x 2	M 36 x 2	16	54	30	44	36	41	46	29.5 x 3.0
ETOM NW 25 HS	S	PN 250	30	M 42 x 2	M 42 x 2	17	62	36	51	50	50	50	38.0 x 3.0
ETOM NW 32 HS	S	PN 200	38	M 48 x 2	M 52 x 2	19	65	34	54	50	55	60	44.5 x 3.0

Series: LL = Very light L = Light S = Heavy - PN = Nominal pressure PB = Max. operating pressure - Ø d2 = External pipe diameter

Product versions

XETOM Screw-in fitting, T shaped, Socket (without union nut and cutting ring)