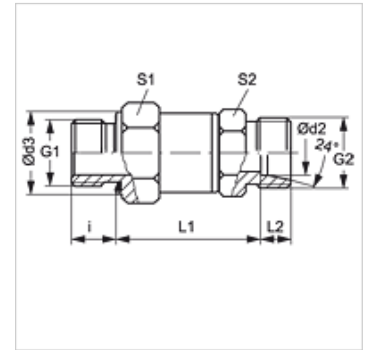


# DGR H

## Rotary fitting, ball bearing

### Properties

<b>Connection 1</b>	BSP external thread, cylindrical
<b>Sealing form 1</b>	Shape E
<b>Connection 2</b>	metric cylindrical outer thread
<b>Sealing form 2</b>	24° inner cone
<b>Design</b>	Rotary fitting (screw-in connector)
<b>Construction type</b>	Ball bearing
<b>Construction</b>	straight
<b>Scope of supply</b>	Socket (without union nut and cutting ring)
<b>Material</b>	Steel
<b>Surface</b>	electro galvanised



### Note

Information about fitting, installation, pressure loads and permissible operating temperatures can be found in the technical information for pipe fittings.

### Item

Identification	Series	Operating pressure	Ø d2 (mm)	G1	G2	i (mm)	Ø d3 (mm)	L1 (mm)	L2 (mm)	S1	S2
DGR NW 04 HL	L	PN 315	6	G 1/8" -28	M 12 x 1.5	8	14	40,5	7,0	22	19
DGR NW 04 HL 1/4	L	PN 315	6	G 1/4" -19	M 12 x 1.5	12	19	40,0	7,0	22	19
DGR NW 06 HL	L	PN 315	8	G 1/4" -19	M 14 x 1.5	12	19	40,0	7,0	22	19
DGR NW 08 HL	L	PN 315	10	G 1/4" -19	M 16 x 1.5	12	19	41,0	7,0	22	19
DGR NW 08 HL 3/8	L	PN 315	10	G 3/8" -19	M 16 x 1.5	12	22	50,0	7,0	30	24
DGR NW 10 HL 1/2	L	PN 315	12	G 1/2" -14	M 18 x 1.5	14	27	50,0	7,0	30	24
DGR NW 13 HL	L	PN 315	15	G 1/2" -14	M 22 x 1.5	14	27	51,0	7,0	30	24
DGR NW 13 HL 3/4	L	*1	15	G 3/4" -14	M 22 x 1.5	*1	*1	*1	*1	*1	*1
DGR NW 16 HL	L	PN 315	18	G 1/2" -14	M 26 x 1.5	14	27	51,5	7,5	30	30
DGR NW 16 HL 3/4	L	*1	18	G 3/4" -14	M 26 x 1.5	*1	*1	*1	*1	*1	*1
DGR NW 20 HL 1/2	L	*1	22	G 1/2" -14	M 30 x 2	*1	*1	*1	*1	*1	*1
DGR NW 20 HL	L	PN 160	22	G 3/4" -14	M 30 x 2	16	32	66,0	7,5	41	36
DGR NW 20 HL 1	L	*1	22	G 1" -11	M 30 x 2	*1	*1	*1	*1	*1	*1
DGR NW 03 HS H	S	PN 500	6	G 1/4" -19	M 14 x 1.5	12	19	42,0	7,0	22	19
DGR NW 04 HS H	S	PN 500	8	G 1/4" -19	M 16 x 1.5	12	19	42,0	7,0	22	19
DGR NW 06 HS H	S	PN 500	10	G 3/8" -19	M 18 x 1.5	12	22	42,0	7,5	22	19
DGR NW 08 HS H	S	PN 500	12	G 3/8" -19	M 20 x 1.5	12	22	52,5	7,5	30	24
DGR NW 08 HS 1/2 H	S	PN 500	12	G 1/2" -14	M 20 x 1.5	12	27	53,0	7,5	22	32
DGR NW 10 HS H	S	PN 500	14	G 1/2" -14	M 22 x 1.5	14	27	52,0	8,0	30	24
DGR NW 13 HS H	S	PN 400	16	G 1/2" -14	M 24 x 1.5	14	27	51,5	8,5	30	24
DGR NW 16 HS H	S	PN 400	20	G 3/4" -14	M 30 x 2	16	32	65,5	10,5	41	36
DGR NW 16 HS 1 H	S	PN 400	20	G 1" -11	M 30 x 2	18	40	65,0	10,5	41	36
DGR NW 20 HS 3/4 H	S	PN 400	25	G 3/4" -14	M 36 x 2	16	32	65,0	12,0	41	36
DGR NW 20 HS H	S	PN 400	25	G 1" -11	M 36 x 2	18	40	66,0	12,0	41	36

Series: LL = Very light L = Light S = Heavy – PN = Nominal pressure PB = Max. operating pressure – Ø d2 = External pipe diameter

\*1) upon request