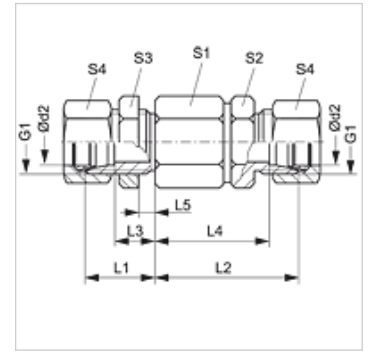


### Properties

|                          |   |
|--------------------------|---|
| <b>Connection 1</b>      | metric cylindrical outer thread             |
| <b>Sealing form 1</b>    | 24° inner cone                              |
| <b>Connection 2</b>      | metric cylindrical outer thread             |
| <b>Sealing form 2</b>    | 24° inner cone                              |
| <b>Design</b>            | Rotary fitting (bulkhead connector)         |
| <b>Construction type</b> | Ball bearing                                |
| <b>Construction</b>      | straight                                    |
| <b>Scope of supply</b>   | Socket (without union nut and cutting ring) |
| <b>Material</b>          | Steel                                       |
| <b>Surface</b>           | electro galvanised                          |



### Note

Information about fitting, installation, pressure loads and permissible operating temperatures can be found in the technical information for pipe fittings.

### Item

| Identification | Series | Operating pressure | Ø d2 (mm) | G1         | L1 (mm) | L2 (mm) | L3 (mm) | L4 (mm) | L5 (mm) | S1 | S2 | S3 | S4 |
|----------------|--------|--------------------|-----------|------------|---------|---------|---------|---------|---------|----|----|----|----|
| DGS NW 03 HS   | S      | PN 250             | 6         | M 14 x 1.5 | 23      | 49      | 16,0    | 42,0    | 5,0     | 22 | 17 | 19 | 17 |
| DGS NW 04 HS   | S      | PN 250             | 8         | M 16 x 1.5 | 23      | 49      | 16,0    | 42,0    | 5,0     | 22 | 17 | 22 | 19 |
| DGS NW 08 HS   | S      | PN 250             | 12        | M 20 x 1.5 | 23      | 60      | 15,5    | 52,5    | 5,0     | 30 | 24 | 27 | 24 |
| DGS NW 13 HS   | S      | PN 250             | 16        | M 24 x 1.5 | 26      | 60      | 17,5    | 51,5    | 5,0     | 30 | 27 | 32 | 30 |
| DGS NW 16 HS   | S      | PN 250             | 20        | M 30 x 2   | 39      | 76      | 28,5    | 65,5    | 15,0    | 41 | 36 | 41 | 36 |
| DGS NW 20 HS   | S      | PN 250             | 25        | M 36 x 2   | 42      | 78      | 30,0    | 66,0    | 15,0    | 41 | 41 | 46 | 46 |
| DGS NW 25 HS   | S      | PN 250             | 30        | M 42 x 2   | 44      | 89      | 30,5    | 75,5    | 15,0    | 60 | 46 | 50 | 50 |
| DGS NW 32 HS   | S      | PN 250             | 38        | M 52 x 2   | 47      | 92      | 31,0    | 76,0    | 15,0    | 60 | 55 | 65 | 60 |

Series: LL = Very light L = Light S = Heavy – PN = Nominal pressure PB = Max. operating pressure – Ø d2 = External pipe diameter