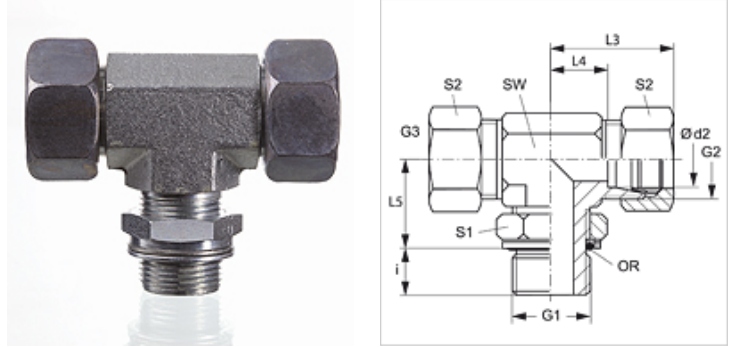


Properties

Connection 1	metric cylindrical outer thread
Sealing form 1	O-ring and spacer diaphragm ring
Connection 2 + 3	metric cylindrical outer thread
Sealing form 2 + 3	24° inner cone
Design	Adjustable direction screw-in fitting
Construction	T shaped
Scope of supply	Socket with union nut and cutting ring
Material	Steel
Surface	electro galvanised



Note

Information about fitting, installation, pressure loads and permissible operating temperatures can be found in the technical information for pipe fittings.

Item

Identification	Series	Operating pressure	Ø d2 (mm)	G1	G2 + G3	i (mm)	L3 (mm)	L4 (mm)	L5 (mm)	AF (mm)	S1	S2	OR
ETOMK NW 04 HL	L	PN 315	6	M 10 x 1	M 12 x 1.5	7	29	14	20	14	14	14	8.1 x 1.6
ETOMK NW 06 HL	L	PN 315	8	M 12 x 1.5	M 14 x 1.5	10	31	16	22	14	17	17	9.3 x 2.4
ETOMK NW 08 HL	L	PN 315	10	M 14 x 1.5	M 16 x 1.5	9	32	17	25	19	17	19	11.3 x 2.4
ETOMK NW 10 HL	L	PN 315	12	M 16 x 1.5	M 18 x 1.5	9	34	19	26	19	19	22	13.3 x 2.4
ETOMK NW 13 HL	L	PN 315	15	M 18 x 1.5	M 22 x 1.5	11	36	21	30	22	22	27	15.3 x 2.4
ETOMK NW 16 HL	L	PN 315	18	M 22 x 1.5	M 26 x 1.5	11	40	24	33	27	27	32	19.3 x 2.4
ETOMK NW 20 HL 27	L	PN 160	22	M 27 x 2	M 30 x 2	14	44	28	35	30	32	36	23.6 x 2.9
ETOMK NW 25 HL	L	PN 160	28	M 33 x 2	M 36 x 2	14	47	31	38	36	38	41	29.5 x 3.0
ETOMK NW 32 HL	L	PN 160	35	M 42 x 2	M 45 x 2	14	59	38	48	50	50	50	38.0 x 2.0
ETOMK NW 40 HL	L	PN 160	42	M 48 x 2	M 52 x 2	16	61	38	49	50	55	60	44.5 x 3.0
ETOMK NW 03 HS	S	PN 400	6	M 12 x 1.5	M 14 x 1.5	10	30	15	22	14	17	17	9.3 x 2.4
ETOMK NW 04 HS	S	PN 400	8	M 14 x 1.5	M 16 x 1.5	10	32	17	26	19	17	19	11.3 x 2.4
ETOMK NW 06 HS	S	PN 400	10	M 16 x 1.5	M 18 x 1.5	11	34	18	27	19	19	22	13.3 x 2.4
ETOMK NW 08 HS	S	PN 400	12	M 18 x 1.5	M 20 x 1.5	12	38	22	31	22	22	24	15.3 x 2.4
ETOMK NW 13 HS	S	PN 400	16	M 22 x 1.5	M 24 x 1.5	14	43	25	35	27	27	30	19.3 x 2.4
ETOMK NW 16 HS	S	PN 400	20	M 27 x 2	M 30 x 2	16	49	28	39	30	32	36	23.6 x 2.9
ETOMK NW 20 HS	S	PN 315	25	M 33 x 2	M 36 x 2	16	54	30	44	36	38	46	29.5 x 3.0
ETOMK NW 25 HS	S	PN 250	30	M 42 x 2	M 42 x 2	17	62	36	51	50	50	50	38.0 x 3.0
ETOMK NW 32 HS	S	PN 200	38	M 48 x 2	M 52 x 2	19	65	34	54	50	55	60	44.5 x 3.0

Series: LL = Very light L = Light S = Heavy - PN = Nominal pressure PB = Max. operating pressure - Ø d2 = External pipe diameter

Product versions

XETOMK Screw-in fitting, T shaped, Socket (without union nut and cutting ring)