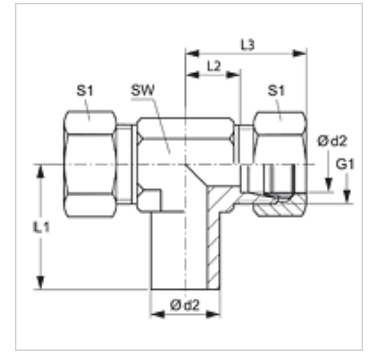


Properties

Connection 1	Pipe socket not pre-assembled
Sealing form 1	Cutting ring connection
Connection 2 + 3	metric cylindrical outer thread
Sealing form 2 + 3	24° inner cone
Design	Adjustable direction fitting
Construction	T shaped
Standard	DIN 2353 ISO 8434-1
Scope of supply	Pipe socket without union nut and cutting ring
Material	Steel
Surface	electro galvanised



Note

Information about fitting, installation, pressure loads and permissible operating temperatures can be found in the technical information for pipe fittings.

Item

Identification	Series	Operating pressure	Ø d2 (mm)	G1	L1 (mm)	L2 (mm)	L3 (mm)	AF (mm)	S1
NET NW 04 HL	L	PN 315	6	M 12 x 1.5	26,0	12,0	27	12	14
NET NW 06 HL	L	PN 315	8	M 14 x 1.5	27,5	14,0	29	12	17
NET NW 08 HL	L	PN 315	10	M 16 x 1.5	29,0	15,0	30	14	19
NET NW 10 HL	L	PN 315	12	M 18 x 1.5	29,5	17,0	32	17	22
NET NW 13 HL	L	PN 315	15	M 22 x 1.5	32,5	21,0	36	19	27
NET NW 16 HL	L	PN 315	18	M 26 x 1.5	35,5	23,5	40	24	32
NET NW 20 HL	L	PN 160	22	M 30 x 2	38,5	27,5	44	27	36
NET NW 25 HL	L	PN 160	28	M 36 x 2	41,5	30,5	47	36	41
NET NW 32 HL	L	PN 160	35	M 45 x 2	51,0	34,5	56	41	50
NET NW 40 HL	L	PN 160	42	M 52 x 2	56,0	40,0	63	50	60
NET NW 03 HS	S	PN 630	6	M 14 x 1.5	27,0	16,0	31	12	17
NET NW 04 HS	S	PN 630	8	M 16 x 1.5	27,5	17,0	32	14	19
NET NW 06 HS	S	PN 630	10	M 18 x 1.5	30,0	17,5	34	17	22
NET NW 08 HS	S	PN 630	12	M 20 x 1.5	31,0	21,5	38	17	24
NET NW 10 HS	S	PN 630	14	M 22 x 1.5	35,0	22,0	40	19	27
NET NW 13 HS	S	PN 400	16	M 24 x 1.5	36,5	24,5	43	24	30
NET NW 16 HS	S	PN 400	20	M 30 x 2	44,5	26,5	48	27	36
NET NW 20 HS	S	PN 400	25	M 36 x 2	50,0	30,0	54	36	46
NET NW 25 HS	S	PN 400	30	M 42 x 2	55,0	35,5	62	41	50
NET NW 32 HS	S	PN 315	38	M 52 x 2	63,0	41,0	72	50	60

Series: LL = Very light L = Light S = Heavy – PN = Nominal pressure PB = Max. operating pressure – Ø d2 = External pipe diameter

Product versions

NET VA	Fitting, T shaped, Stainless steel
XNET	Fitting, T shaped, Steel

Additional elements

VOM	Pre-assembly sockets
-----	----------------------