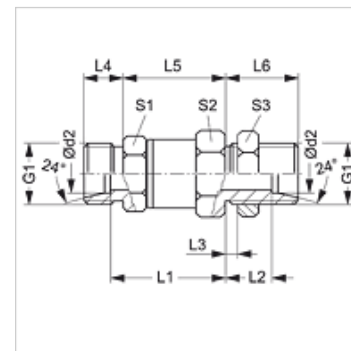


DGS H

Rotary fitting, ball bearing

Properties

| | |
|--------------------------|---|
| Connection 1 | metric cylindrical outer thread |
| Sealing form 1 | 24° inner cone |
| Connection 2 | metric cylindrical outer thread |
| Sealing form 2 | 24° inner cone |
| Design | Rotary fitting (bulkhead connector) |
| Construction type | Ball bearing |
| Construction | straight |
| Scope of supply | Socket (without union nut and cutting ring) |
| Material | Steel |
| Surface | electro galvanised |



Note

Information about fitting, installation, pressure loads and permissible operating temperatures can be found in the technical information for pipe fittings.

Item

| Identification | Series | Operating pressure | Ø d2 (mm) | G1 | L1 (mm) | L2 (mm) | L3 (mm) | L4 (mm) | L5 (mm) | L6 (mm) | S1 | S2 | S3 |
|----------------|--------|--------------------|-----------|------------|---------|---------|---------|---------|---------|---------|----|----|----|
| DGS NW 06 HL | L | PN 315 | 8 | M 14 x 1.5 | 40,0 | 16,0 | 5 | 10 | 37,0 | 23,0 | 19 | 22 | 17 |
| DGS NW 08 HL | L | PN 315 | 10 | M 16 x 1.5 | 50,0 | 16,0 | 5 | 11 | 46,0 | 23,0 | 24 | 30 | 22 |
| DGS NW 10 HL | L | PN 315 | 12 | M 18 x 1.5 | 50,0 | 16,0 | 5 | 11 | 46,0 | 23,0 | 24 | 30 | 24 |
| DGS NW 13 HL | L | PN 315 | 15 | M 22 x 1.5 | 51,0 | 19,0 | 5 | 12 | 46,0 | 26,0 | 24 | 30 | 30 |
| DGS NW 16 HL | L | PN 315 | 18 | M 26 x 1.5 | 61,0 | 28,0 | 15 | 12 | 56,5 | 35,5 | 36 | 41 | 36 |
| DGS NW 20 HL | L | PN 160 | 22 | M 30 x 2 | 63,0 | 30,5 | 15 | 14 | 56,5 | 38,0 | 36 | 41 | 41 |
| DGS NW 25 HL | L | PN 160 | 28 | M 36 x 2 | 75,0 | 31,0 | 15 | 14 | 68,5 | 38,5 | 55 | 60 | 46 |
| DGS NW 32 HL | L | PN 160 | 35 | M 45 x 2 | 74,0 | 31,5 | 15 | 16 | 68,5 | 42,0 | 55 | 60 | 55 |
| DGS NW 04 HS H | S | PN 500 | 8 | M 16 x 1.5 | 42,0 | 16,0 | 5 | 12 | 37,0 | 23,0 | 19 | 22 | 22 |
| DGS NW 08 HS H | S | PN 500 | 12 | M 20 x 1.5 | 52,5 | 15,5 | 5 | 12 | 48,0 | 23,0 | 24 | 30 | 27 |
| DGS NW 13 HS H | S | PN 400 | 16 | M 24 x 1.5 | 51,5 | 17,5 | 5 | 14 | 46,0 | 26,0 | 24 | 30 | 32 |
| DGS NW 16 HS H | S | PN 400 | 20 | M 30 x 2 | 65,5 | 28,5 | 15 | 16 | 60,0 | 39,0 | 36 | 41 | 41 |
| DGS NW 20 HS H | S | PN 400 | 25 | M 36 x 2 | 66,0 | 30,0 | 15 | 18 | 60,0 | 42,0 | 36 | 41 | 46 |
| DGS NW 25 HS H | S | PN 400 | 30 | M 42 x 2 | 75,5 | 30,5 | 15 | 22 | 69,0 | 44,0 | 55 | 60 | 50 |

Series: LL = Very light L = Light S = Heavy – PN = Nominal pressure PB = Max. operating pressure – Ø d2 = External pipe diameter