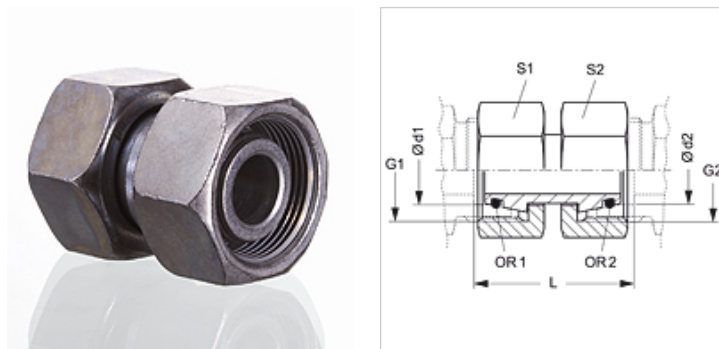


DMO

Fitting, double nut

Properties

Connection 1	metric nut thread
Sealing form 1	24° outer cone with O-ring
Connection 2	metric nut thread
Sealing form 2	24° outer cone with O-ring
Design	Fitting, double nuts
Construction	straight
Standard	DIN 2353 ISO 8434-1
Material	Steel
Surface	electro galvanised



Note

Information about fitting, installation, pressure loads and permissible operating temperatures can be found in the technical information for pipe fittings.

Item

Identification	Series	Operating pressure	Ø d1 (mm)	Ø d2 (mm)	G1	G2	L (mm)	S1	S2	OR1	OR2
DMO NW 04 L	L	PN 315	6	6	M 12 x 1.5	M 12 x 1.5	32,0	14	14	4.0 x 1.5	4.0 x 1.5
DMO NW 04 L 06	L	PN 315	6	8	M 12 x 1.5	M 14 x 1.5	32,0	14	17	4.0 x 1.5	6.0 x 1.5
DMO NW 04 L 08	L	PN 315	6	10	M 12 x 1.5	M 16 x 1.5	33,0	14	19	4.0 x 1.5	7.5 x 1.5
DMO NW 04 L 10	L	PN 315	6	12	M 12 x 1.5	M 18 x 1.5	33,0	14	22	4.0 x 1.5	9.0 x 1.5
DMO NW 06 L	L	PN 315	8	8	M 14 x 1.5	M 14 x 1.5	32,0	17	17	6.0 x 1.5	6.0 x 1.5
DMO NW 06 L 08	L	PN 315	8	10	M 14 x 1.5	M 16 x 1.5	33,0	17	19	6.0 x 1.5	7.5 x 1.5
DMO NW 06 L 10	L	PN 315	8	12	M 14 x 1.5	M 18 x 1.5	33,0	17	22	6.0 x 1.5	9.0 x 1.5
DMO NW 06 L 13	L	PN 315	8	15	M 14 x 1.5	M 22 x 1.5	34,5	17	27	6.0 x 1.5	12.0 x 2.0
DMO NW 06 L 16	L	PN 315	8	18	M 14 x 1.5	M 26 x 1.5	36,0	17	32	6.0 x 1.5	15.0 x 2.0
DMO NW 08 L	L	PN 315	10	10	M 16 x 1.5	M 16 x 1.5	34,0	19	19	7.5 x 1.5	7.5 x 1.5
DMO NW 08 L 10	L	PN 315	10	12	M 16 x 1.5	M 18 x 1.5	33,0	19	22	7.5 x 1.5	9.0 x 1.5
DMO NW 08 L 13	L	PN 315	10	15	M 16 x 1.5	M 22 x 1.5	38,0	19	27	7.5 x 1.5	12.0 x 2.0
DMO NW 08 L 16	L	PN 315	10	18	M 16 x 1.5	M 26 x 1.5	36,0	19	32	7.5 x 1.5	15.0 x 2.0
DMO NW 10 L	L	PN 315	12	12	M 18 x 1.5	M 18 x 1.5	34,5	22	22	9.0 x 1.5	9.0 x 1.5
DMO NW 10 L 13	L	PN 315	12	15	M 18 x 1.5	M 22 x 1.5	38,0	22	27	9.0 x 1.5	12.0 x 2.0
DMO NW 10 L 16	L	PN 315	12	18	M 18 x 1.5	M 26 x 1.5	36,0	22	32	9.0 x 1.5	15.0 x 2.0
DMO NW 10 L 20	L	PN 160	12	22	M 18 x 1.5	M 30 x 2	40,0	22	36	9.0 x 1.5	20.0 x 2.0
DMO NW 13 L	L	PN 315	15	15	M 22 x 1.5	M 22 x 1.5	37,0	27	27	12.0 x 2.0	12.0 x 2.0
DMO NW 13 L 16	L	PN 315	15	18	M 22 x 1.5	M 26 x 1.5	36,0	27	32	12.0 x 2.0	15.0 x 2.0
DMO NW 13 L 20	L	PN 160	15	22	M 22 x 1.5	M 30 x 2	42,0	27	36	12.0 x 2.0	20.0 x 2.0
DMO NW 13 L 25	L	PN 160	15	28	M 22 x 1.5	M 36 x 2	46,0	27	41	12.0 x 2.0	26.0 x 2.0
DMO NW 16 L	L	PN 315	18	18	M 26 x 1.5	M 26 x 1.5	38,5	32	32	15.0 x 2.0	15.0 x 2.0
DMO NW 16 L 20	L	PN 160	18	22	M 26 x 1.5	M 30 x 2	42,0	32	36	15.0 x 2.0	20.0 x 2.0
DMO NW 16 L 25	L	PN 160	18	28	M 26 x 1.5	M 36 x 2	46,0	32	41	15.0 x 2.0	26.0 x 2.0
DMO NW 16 L 32	L	PN 160	18	35	M 26 x 1.5	M 45 x 2	45,0	32	50	15.0 x 2.0	32.0 x 2.5
DMO NW 20 L	L	PN 160	22	22	M 30 x 2	M 30 x 2	42,5	36	36	20.0 x 2.0	20.0 x 2.0
DMO NW 20 L 25	L	PN 160	22	28	M 30 x 2	M 36 x 2	46,0	36	41	20.0 x 2.0	26.0 x 2.0
DMO NW 20 L 32	L	PN 160	22	35	M 30 x 2	M 45 x 2	48,0	36	50	20.0 x 2.0	32.0 x 2.5
DMO NW 20 L 40	L	PN 160	22	42	M 30 x 2	M 52 x 2	47,5	36	60	20.0 x 2.0	38.0 x 2.5
DMO NW 25 L	L	PN 160	28	28	M 36 x 2	M 36 x 2	44,5	41	41	26.0 x 2.0	26.0 x 2.0
DMO NW 25 L 32	L	PN 160	28	35	M 36 x 2	M 45 x 2	48,0	41	50	26.0 x 2.0	32.0 x 2.5
DMO NW 25 L 40	L	PN 160	28	42	M 36 x 2	M 52 x 2	52,0	41	60	26.0 x 2.0	38.0 x 2.5
DMO NW 32 L	L	PN 160	35	35	M 45 x 2	M 45 x 2	51,0	50	50	32.0 x 2.5	32.0 x 2.5
DMO NW 32 L 40	L	PN 160	35	42	M 45 x 2	M 52 x 2	51,5	50	60	32.0 x 2.5	38.0 x 2.5
DMO NW 40 L	L	PN 160	42	42	M 52 x 2	M 52 x 2	52,0	60	60	38.0 x 2.5	38.0 x 2.5
DMO NW 04 L 03 S	L / S	PN 315	6	6	M 12 x 1.5	M 14 x 1.5	33,5	14	17	4.0 x 1.5	4.0 x 1.5
DMO NW 04 L 04 S	L / S	PN 315	6	8	M 12 x 1.5	M 16 x 1.5	33,0	14	19	4.0 x 1.5	6.0 x 1.5
DMO NW 04 L 06 S	L / S	PN 315	6	10	M 12 x 1.5	M 18 x 1.5	35,5	14	22	4.0 x 1.5	7.5 x 1.5
DMO NW 04 L 08 S	L / S	PN 315	6	12	M 12 x 1.5	M 20 x 1.5	38,0	14	24	4.0 x 1.5	9.0 x 1.5
DMO NW 06 L 03 S	L / S	PN 315	8	6	M 14 x 1.5	M 14 x 1.5	32,0	17	17	6.0 x 1.5	4.0 x 1.5
DMO NW 06 L 04 S	L / S	PN 315	8	8	M 14 x 1.5	M 16 x 1.5	33,0	17	19	6.0 x 1.5	6.0 x 1.5
DMO NW 06 L 06 S	L / S	PN 315	8	10	M 14 x 1.5	M 18 x 1.5	33,0	17	22	6.0 x 1.5	7.5 x 1.5
DMO NW 06 L 08 S	L / S	PN 315	8	12	M 14 x 1.5	M 20 x 1.5	36,0	17	24	6.0 x 1.5	9.0 x 1.5



Item	Identification	Series	Operating pressure	Ø d1 (mm)	Ø d2 (mm)	G1	G2	L (mm)	S1	S2	OR1	OR2
	DMO NW 06 L 13 S	L / S	PN 315	8	16	M 14 x 1.5	M 24 x 1.5	39,0	17	30	6.0 x 1.5	12.0 x 2.0
	DMO NW 08 L 03 S	L / S	PN 315	10	6	M 16 x 1.5	M 14 x 1.5	33,0	19	17	7.5 x 1.5	4.0 x 1.5
	DMO NW 08 L 04 S	L / S	PN 315	10	8	M 16 x 1.5	M 16 x 1.5	33,0	19	19	7.5 x 1.5	6.0 x 1.5
	DMO NW 08 L 06 S	L / S	PN 315	10	10	M 16 x 1.5	M 18 x 1.5	33,0	19	22	7.5 x 1.5	7.5 x 1.5
	DMO NW 08 L 08 S	L / S	PN 315	10	12	M 16 x 1.5	M 20 x 1.5	36,0	19	24	7.5 x 1.5	9.0 x 1.5
	DMO NW 08 L 10 S	L / S	PN 315	10	14	M 16 x 1.5	M 22 x 1.5	39,0	19	27	7.5 x 1.5	10.0 x 2.0
	DMO NW 08 L 13 S	L / S	PN 315	10	16	M 16 x 1.5	M 24 x 1.5	39,0	19	30	7.5 x 1.5	12.0 x 2.0
	DMO NW 10 L 06 S	L / S	PN 315	12	10	M 18 x 1.5	M 18 x 1.5	33,0	22	22	9.0 x 1.5	7.5 x 1.5
	DMO NW 10 L 08 S	L / S	PN 315	12	12	M 18 x 1.5	M 20 x 1.5	36,0	22	24	9.0 x 1.5	9.0 x 1.5
	DMO NW 10 L 10 S	L / S	PN 315	12	14	M 18 x 1.5	M 22 x 1.5	39,0	22	27	9.0 x 1.5	10.0 x 2.0
	DMO NW 10 L 13 S	L / S	PN 315	12	16	M 18 x 1.5	M 24 x 1.5	39,0	22	30	9.0 x 1.5	12.0 x 2.0
	DMO NW 10 L 16 S	L / S	PN 315	12	20	M 18 x 1.5	M 30 x 2	36,0	22	36	9.0 x 1.5	16.3 x 2.4
	DMO NW 13 L 06 S	L / S	PN 315	15	10	M 22 x 1.5	M 18 x 1.5	38,0	27	22	12.0 x 2.0	7.5 x 1.5
	DMO NW 13 L 08 S	L / S	PN 315	15	12	M 22 x 1.5	M 20 x 1.5	38,0	27	24	12.0 x 2.0	9.0 x 1.5
	DMO NW 13 L 10 S	L / S	PN 315	15	14	M 22 x 1.5	M 22 x 1.5	38,0	27	27	12.0 x 2.0	10.0 x 2.0
	DMO NW 13 L 13 S	L / S	PN 315	15	16	M 22 x 1.5	M 24 x 1.5	39,0	27	30	12.0 x 2.0	12.0 x 2.0
	DMO NW 13 L 16 S	L / S	PN 315	15	20	M 22 x 1.5	M 30 x 2	44,0	27	36	12.0 x 2.0	16.3 x 2.4
	DMO NW 13 L 20 S	L / S	PN 315	15	25	M 22 x 1.5	M 36 x 2	47,5	27	46	12.0 x 2.0	20.3 x 2.4
	DMO NW 16 L 08 S	L / S	PN 315	18	12	M 26 x 1.5	M 20 x 1.5	38,0	32	24	15.0 x 2.0	9.0 x 1.5
	DMO NW 16 L 10 S	L / S	PN 315	18	14	M 26 x 1.5	M 22 x 1.5	41,0	32	27	15.0 x 2.0	10.0 x 2.0
	DMO NW 16 L 13 S	L / S	PN 315	18	16	M 26 x 1.5	M 24 x 1.5	39,0	32	30	15.0 x 2.0	12.0 x 2.0
	DMO NW 16 L 16 S	L / S	PN 315	18	20	M 26 x 1.5	M 30 x 2	44,0	32	36	15.0 x 2.0	16.3 x 2.4
	DMO NW 16 L 20 S	L / S	PN 315	18	25	M 26 x 1.5	M 36 x 2	48,0	32	46	15.0 x 2.0	20.3 x 2.4
	DMO NW 16 L 25 S	L / S	PN 315	18	30	M 26 x 1.5	M 42 x 2	50,0	32	50	15.0 x 2.0	25.3 x 2.4
	DMO NW 20 L 13 S	L / S	PN 160	22	16	M 30 x 2	M 24 x 1.5	42,0	36	30	20.0 x 2.0	12.0 x 2.0
	DMO NW 20 L 16 S	L / S	PN 160	22	20	M 30 x 2	M 30 x 2	44,0	36	36	20.0 x 2.0	16.3 x 2.4
	DMO NW 20 L 20 S	L / S	PN 160	22	25	M 30 x 2	M 36 x 2	46,0	36	46	20.0 x 2.0	20.3 x 2.4
	DMO NW 20 L 25 S	L / S	PN 160	22	30	M 30 x 2	M 42 x 2	52,0	36	50	20.0 x 2.0	25.3 x 2.4
	DMO NW 20 L 32 S	L / S	PN 160	22	38	M 30 x 2	M 52 x 2	52,0	36	60	20.0 x 2.0	33.3 x 2.4
	DMO NW 25 L 13 S	L / S	PN 160	28	16	M 36 x 2	M 24 x 1.5	46,0	41	30	26.0 x 2.0	12.0 x 2.0
	DMO NW 25 L 16 S	L / S	PN 160	28	20	M 36 x 2	M 30 x 2	46,0	41	36	26.0 x 2.0	16.3 x 2.4
	DMO NW 25 L 20 S	L / S	PN 160	28	25	M 36 x 2	M 36 x 2	46,0	41	46	26.0 x 2.0	20.3 x 2.4
	DMO NW 25 L 25 S	L / S	PN 160	28	30	M 36 x 2	M 42 x 2	52,0	41	50	26.0 x 2.0	25.3 x 2.4
	DMO NW 25 L 32 S	L / S	PN 160	28	38	M 36 x 2	M 52 x 2	51,0	41	60	26.0 x 2.0	33.3 x 2.4
	DMO NW 32 L 16 S	L / S	PN 160	35	20	M 45 x 2	M 30 x 2	48,0	50	36	32.0 x 2.5	16.3 x 2.4
	DMO NW 32 L 20 S	L / S	PN 160	35	25	M 45 x 2	M 36 x 2	48,0	50	46	32.0 x 2.5	20.3 x 2.4
	DMO NW 32 L 25 S	L / S	PN 160	35	30	M 45 x 2	M 42 x 2	52,0	50	50	32.0 x 2.5	25.3 x 2.4
	DMO NW 32 L 32 S	L / S	PN 160	35	38	M 45 x 2	M 52 x 2	52,0	50	60	32.0 x 2.5	33.3 x 2.4
	DMO NW 40 L 25 S	L / S	PN 160	42	30	M 52 x 2	M 42 x 2	52,0	60	50	38.0 x 2.5	25.3 x 2.4
	DMO NW 40 L 32 S	L / S	PN 160	42	38	M 52 x 2	M 52 x 2	52,0	60	60	38.0 x 2.5	33.3 x 2.4
	DMO NW 03 S	S	PN 630	6	6	M 14 x 1.5	M 14 x 1.5	35,0	17	17	4.0 x 1.5	4.0 x 1.5
	DMO NW 03 S 04	S	PN 630	6	8	M 14 x 1.5	M 16 x 1.5	33,0	17	19	4.0 x 1.5	6.0 x 1.5
	DMO NW 03 S 06	S	PN 630	6	10	M 14 x 1.5	M 18 x 1.5	32,0	17	22	4.0 x 1.5	7.5 x 1.5
	DMO NW 03 S 08	S	PN 630	6	12	M 14 x 1.5	M 20 x 1.5	37,5	17	24	4.0 x 1.5	9.0 x 1.5
	DMO NW 04 S	S	PN 630	8	8	M 16 x 1.5	M 16 x 1.5	35,0	19	19	6.0 x 1.5	6.0 x 1.5
	DMO NW 04 S 06	S	PN 630	8	10	M 16 x 1.5	M 18 x 1.5	33,0	19	22	6.0 x 1.5	7.5 x 1.5
	DMO NW 04 S 08	S	PN 630	8	12	M 16 x 1.5	M 20 x 1.5	36,0	19	24	6.0 x 1.5	9.0 x 1.5
	DMO NW 06 S	S	PN 630	10	10	M 18 x 1.5	M 18 x 1.5	39,0	22	22	7.5 x 1.5	7.5 x 1.5
	DMO NW 06 S 08	S	PN 630	10	12	M 18 x 1.5	M 20 x 1.5	36,0	22	24	7.5 x 1.5	9.0 x 1.5
	DMO NW 06 S 10	S	PN 630	10	14	M 18 x 1.5	M 22 x 1.5	39,0	22	27	7.5 x 1.5	10.0 x 2.0
	DMO NW 06 S 13	S	PN 400	10	16	M 18 x 1.5	M 24 x 1.5	39,0	22	30	7.5 x 1.5	12.0 x 2.0
	DMO NW 08 S	S	PN 630	12	12	M 20 x 1.5	M 20 x 1.5	40,0	24	24	9.0 x 1.5	9.0 x 1.5
	DMO NW 08 S 10	S	PN 630	12	14	M 20 x 1.5	M 22 x 1.5	39,0	24	27	9.0 x 1.5	10.0 x 2.0
	DMO NW 08 S 13	S	PN 400	12	16	M 20 x 1.5	M 24 x 1.5	39,0	24	30	9.0 x 1.5	12.0 x 2.0
	DMO NW 08 S 16	S	PN 400	12	20	M 20 x 1.5	M 30 x 2	39,0	24	36	9.0 x 1.5	16.3 x 2.4
	DMO NW 10 S	S	PN 630	14	14	M 22 x 1.5	M 22 x 1.5	43,0	27	27	10.0 x 2.0	10.0 x 2.0
	DMO NW 10 S 13	S	PN 400	14	16	M 22 x 1.5	M 24 x 1.5	39,0	27	30	10.0 x 2.0	12.0 x 2.0
	DMO NW 10 S 16	S	PN 400	14	20	M 22 x 1.5	M 30 x 2	44,0	27	36	10.0 x 2.0	16.3 x 2.4
	DMO NW 13 S	S	PN 400	16	16	M 24 x 1.5	M 24 x 1.5	44,0	30	30	12.0 x 2.0	12.0 x 2.0
	DMO NW 13 S 16	S	PN 400	16	20	M 24 x 1.5	M 30 x 2	44,0	30	36	12.0 x 2.0	16.3 x 2.4
	DMO NW 13 S 20	S	PN 400	16	25	M 24 x 1.5	M 36 x 2	46,0	30	46	12.0 x 2.0	20.3 x 2.4
	DMO NW 13 S 25	S	PN 400	16	30	M 24 x 1.5	M 42 x 2	52,0	30	50	12.0 x 2.0	25.3 x 2.4



Item											
Identification	Series	Operating pressure	Ø d1 (mm)	Ø d2 (mm)	G1	G2	L (mm)	S1	S2	OR1	OR2
DMO NW 16 S	S	PN 400	20	20	M 30 x 2	M 30 x 2	53,5	36	36	16.3 x 2.4	16.3 x 2.4
DMO NW 16 S 20	S	PN 400	20	25	M 30 x 2	M 36 x 2	46,0	36	46	16.3 x 2.4	20.3 x 2.4
DMO NW 16 S 25	S	PN 400	20	30	M 30 x 2	M 42 x 2	52,0	36	50	16.3 x 2.4	25.3 x 2.4
DMO NW 16 S 32	S	PN 315	20	38	M 30 x 2	M 52 x 2	52,0	36	60	16.3 x 2.4	33.3 x 2.4
DMO NW 20 S	S	PN 400	25	25	M 36 x 2	M 36 x 2	57,5	46	46	20.3 x 2.4	20.3 x 2.4
DMO NW 20 S 25	S	PN 400	25	30	M 36 x 2	M 42 x 2	52,0	46	50	20.3 x 2.4	25.3 x 2.4
DMO NW 20 S 32	S	PN 315	25	38	M 36 x 2	M 52 x 2	52,0	46	60	20.3 x 2.4	33.3 x 2.4
DMO NW 25 S	S	PN 400	30	30	M 42 x 2	M 42 x 2	60,5	50	50	25.3 x 2.4	25.3 x 2.4
DMO NW 25 S 32	S	PN 315	30	38	M 42 x 2	M 52 x 2	52,0	50	60	25.3 x 2.4	33.3 x 2.4
DMO NW 32 S	S	PN 315	38	38	M 52 x 2	M 52 x 2	65,5	60	60	33.3 x 2.4	33.3 x 2.4

Series: LL = Very light L = Light S = Heavy – PN = Nominal pressure PB = Max. operating pressure – Ø d1 = External pipe diameter – Ø d2 = External pipe diameter

Product versions

DMO VA Fitting, double nut, Stainless steel