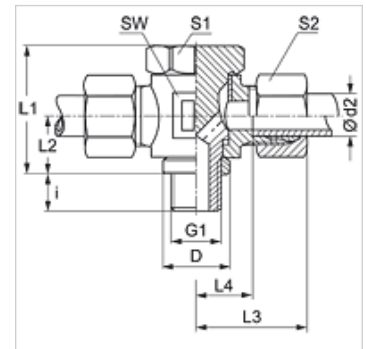


Properties

Connection 1	metric cylindrical outer thread
Sealing form 1	Edge sealing ring
Connection 2 + 3	metric cylindrical outer thread
Sealing form 2 + 3	24° inner cone
Design	Banjo coupling, throttle free
Construction	T shaped
Scope of supply	Socket with union nut and cutting ring
Material	Steel
Surface	electro galvanised



Note

Information about fitting, installation, pressure loads and permissible operating temperatures can be found in the technical information for pipe fittings.

Item

Identification	Series	Operating pressure	Ø d2 (mm)	G1	D (mm)	i (mm)	L1 (mm)	L2 (mm)	L3 (mm)	L4 (mm)	AF (mm)	S1	S2
STM NW 04 HL	L	PN 250	6	M 10 x 1	14,0	8	24,0	10,5	27	12,0	17	17	14
STM NW 06 HL	L	PN 250	8	M 12 x 1.5	17,0	12	30,0	14,0	29	14,5	22	19	17
STM NW 08 HL	L	PN 250	10	M 14 x 1.5	19,0	12	30,0	14,0	30	15,5	22	19	19
STM NW 10 HL	L	PN 250	12	M 16 x 1.5	21,0	12	36,0	16,5	33	18,0	27	24	22
STM NW 13 HL	L	PN 250	15	M 18 x 1.5	23,0	12	39,5	18,5	36	20,5	30	27	27
STM NW 16 HL	L	PN 250	18	M 22 x 1.5	27,0	14	45,0	21,5	37	21,0	32	30	32
STM NW 20 HL	L	PN 160	22	M 26 x 1.5	31,0	16	53,0	24,0	44	27,5	41	36	36
STM NW 25 HL	L	PN 160	28	M 33 x 2	39,0	18	66,0	30,5	49	32,0	50	46	41
STM NW 32 HL	L	PN 160	35	M 42 x 2	49,0	20	76,0	35,5	58	36,0	60	55	50
STM NW 40 HL	L	PN 160	42	M 48 x 2	55,0	22	87,0	40,5	63	40,5	70	60	60
STM NW 03 HS	S	PN 315	6	M 12 x 1.5	17,0	12	30,0	14,0	31	16,5	22	19	17
STM NW 04 HS	S	PN 315	8	M 14 x 1.5	19,0	12	30,0	14,0	31	16,5	22	19	19
STM NW 06 HS	S	PN 315	10	M 16 x 1.5	21,0	12	36,0	16,5	35	18,5	27	24	22
STM NW 08 HS	S	PN 315	12	M 18 x 1.5	23,0	12	39,5	18,5	36	20,0	30	27	24
STM NW 10 HS	S	PN 315	14	M 20 x 1.5	25,0	14	43,5	20,0	40	22,5	32	30	27
STM NW 13 HS	S	PN 315	16	M 22 x 1.5	27,0	14	45,0	21,5	40	22,0	32	30	30
STM NW 16 HS	S	PN 160	20	M 27 x 2	32,0	16	53,0	24,0	48	26,5	41	36	36
STM NW 20 HS	S	PN 160	25	M 33 x 2	39,0	18	66,0	30,5	56	31,5	50	46	46
STM NW 25 HS	S	PN 160	30	M 42 x 2	49,0	20	76,0	35,5	64	37,0	60	55	50
STM NW 32 HS	S	PN 160	38	M 48 x 2	55,0	22	87,0	40,5	72	41,5	70	60	60

Series: LL = Very light L = Light S = Heavy - PN = Nominal pressure PB = Max. operating pressure - Ø d2 = External pipe diameter

Product versions

XSTM Banjo fitting, throttle free, T shaped, Socket (without union nut and cutting ring)