

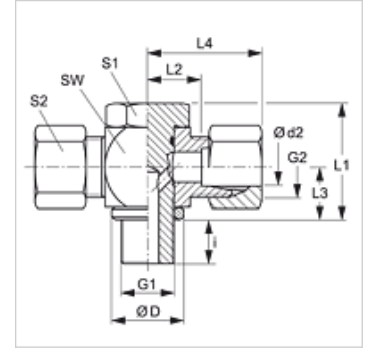
STOM VA

Banjo fitting, throttle free, T shaped

HANSA FLEX

Properties

Connection 1	metric cylindrical outer thread
Sealing form 1	Edge sealing ring
Connection 2 + 3	metric cylindrical outer thread
Sealing form 2 + 3	24° inner cone
Design	Banjo couplings, throttle free (high pressure)
Construction	T shaped
Scope of supply	Socket with union nut and cutting ring
Material	Stainless steel



Note

Information about fitting, installation, pressure loads and permissible operating temperatures can be found in the technical information for pipe fittings.

Ordering information

Seals of NBR
FPM (Viton) on request

Item

Identification	Series	Operating pressure	Ø d2 (mm)	G1	G2	Ø D (mm)	i (mm)	L1 (mm)	L2 (mm)	L3 (mm)	L4 (mm)	AF (mm)	S1	S2
STOM 04 LL VA	LL	PN 100	4	M 8 x 1	M 8 x 1	15	8	24,0	11,0	10,5	27,0	18	17	10
STOM 06 LL VA	LL	PN 100	6	M 10 x 1	M 10 x 1	15	8	24,0	11,5	10,5	27,0	18	17	12
STOM 08 LL VA	LL	PN 100	8	M 10 x 1	M 12 x 1	14	8	24,0	11,5	10,5	27,0	18	17	14
STOM NW 04 HL VA	L	PN 250	6	M 10 x 1	M 12 x 1.5	14	8	24,0	12,0	10,5	27,0	17	17	14
STOM NW 06 HL VA	L	PN 250	8	M 12 x 1.5	M 14 x 1.5	17	12	30,0	14,5	14,0	29,0	22	19	17
STOM NW 08 HL VA	L	PN 250	10	M 14 x 1.5	M 16 x 1.5	19	12	30,0	15,5	14,0	30,0	22	19	19
STOM NW 10 HL VA	L	PN 250	12	M 16 x 1.5	M 18 x 1.5	21	12	36,0	18,0	16,5	33,0	27	24	22
STOM NW 13 HL VA	L	PN 250	15	M 18 x 1.5	M 20 x 1.5	23	12	39,5	20,5	18,5	36,0	30	27	27
STOM NW 16 HL VA	L	PN 250	18	M 22 x 1.5	M 26 x 1.5	27	14	45,0	21,0	21,5	37,0	32	30	32
STOM NW 20 HL VA	L	PN 160	22	M 26 x 1.5	M 30 x 2	31	16	53,0	27,5	24,0	44,0	41	36	36
STOM NW 25 HL VA	L	PN 160	28	M 33 x 2	M 36 x 2	39	18	66,0	32,0	30,5	49,0	50	46	41
STOM NW 32 HL VA	L	PN 160	35	M 42 x 2	M 45 x 2	49	20	76,0	36,0	35,5	58,0	60	55	50
STOM NW 40 HL VA	L	PN 160	42	M 48 x 2	M 52 x 2	55	22	87,0	40,5	40,5	63,0	70	60	60
STOM NW 03 HS VA	S	PN 315	6	M 12 x 1.5	M 14 x 1.5	17	12	30,0	16,5	14,0	31,0	22	19	17
STOM NW 04 HS VA	S	PN 315	8	M 14 x 1.5	M 16 x 1.5	19	12	30,0	16,5	14,0	31,0	22	19	19
STOM NW 06 HS VA	S	PN 315	10	M 16 x 1.5	M 18 x 1.5	21	12	36,0	18,5	16,5	35,0	27	24	22
STOM NW 08 HS VA	S	PN 315	12	M 18 x 1.5	M 20 x 1.5	23	12	39,5	20,0	18,5	36,0	30	27	24
STOM NW 10 HS VA	S	PN 315	14	M 20 x 1.5	M 22 x 1.5	25	14	43,5	20,0	22,5	30,5	32	30	27
STOM NW 13 HS VA	S	PN 315	16	M 22 x 1.5	M 24 x 1.5	27	14	45,0	22,0	21,5	40,0	32	30	30
STOM NW 16 HS VA	S	PN 160	20	M 27 x 2	M 30 x 2	32	16	53,0	26,5	24,0	48,0	41	36	36
STOM NW 20 HS VA	S	PN 160	25	M 33 x 2	M 36 x 2	39	18	66,0	31,5	30,5	56,0	50	46	46
STOM NW 25 HS VA	S	PN 160	30	M 42 x 2	M 42 x 2	49	20	76,0	37,0	35,5	64,0	60	55	50
STOM NW 32 HS VA	S	PN 160	38	M 48 x 2	M 52 x 2	55	22	87,0	41,5	40,5	72,0	70	60	60

Series: LL = Very light L = Light S = Heavy – PN = Nominal pressure PB = Max. operating pressure – Ø d2 = External pipe diameter

Product versions

XSTOM VA Banjo fitting, throttle free, T shaped, Socket (without union nut and cutting ring)