

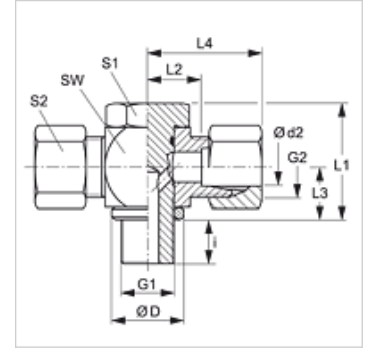
# STOR VA

Banjo fitting, throttle free, T shaped

**HANSA FLEX**

## Properties

<b>Connection 1</b>	BSP external thread, cylindrical
<b>Sealing form 1</b>	Edge sealing ring
<b>Connection 2 + 3</b>	BSP cylindrical external threads
<b>Sealing form 2 + 3</b>	24° inner cone
<b>Design</b>	Banjo couplings, throttle free (high pressure)
<b>Construction</b>	T shaped
<b>Scope of supply</b>	Socket with union nut and cutting ring
<b>Material</b>	Stainless steel



## Note

Information about fitting, installation, pressure loads and permissible operating temperatures can be found in the technical information for pipe fittings.

## Ordering information

Seals of NBR  
FPM (Viton) on request

## Item

Identification	Series	Operating pressure	Ø d2 (mm)	G1	G2	Ø D (mm)	i (mm)	L1 (mm)	L2 (mm)	L3 (mm)	L4 (mm)	AF (mm)	S1	S2
STOR 04 LL VA	LL	PN 100	4	G 1/8" -28	M 8 x 1	14	8	24	11,0	10,5	27,0	18	17	10
STOR 06 LL VA	LL	PN 100	6	G 1/8" -28	M 10 x 1	14	8	24	11,0	10,5	27,0	18	17	12
STOR 08 LL VA	LL	PN 100	8	G 1/8" -28	M 12 x 1	14	8	24	11,5	14,0	29,0	18	24	14
STOR NW 04 HL VA	L	PN 250	6	G 1/8" -28	M 12 x 1.5	14	8	24	12,0	10,5	27,0	17	17	14
STOR NW 06 HL VA	L	PN 250	8	G 1/4" -19	M 14 x 1.5	18	12	30	14,5	14,0	29,0	22	19	17
STOR NW 08 HL VA	L	PN 250	10	G 1/4" -19	M 18 x 1.5	18	12	30	15,5	14,0	30,0	22	19	19
STOR NW 10 HL 1/4 VA	L	PN 250	12	G 1/4" -19	M 18 x 1.5	22	12	36	18,0	16,5	33,0	27	24	22
STOR NW 10 HL VA	L	PN 250	12	G 3/8" -19	M 18 x 1.5	22	12	36	18,0	16,5	33,0	27	24	22
STOR NW 13 HL VA	L	PN 250	15	G 1/2" -14	M 22 x 1.5	26	14	45	21,5	21,5	30,0	32	30	27
STOR NW 16 HL VA	L	PN 250	18	G 1/2" -14	M 26 x 1.5	26	14	45	21,0	21,5	37,0	32	30	32
STOR NW 20 HL VA	L	PN 160	22	G 3/4" -14	M 30 x 2	32	16	53	27,5	24,0	44,0	41	36	36
STOR NW 25 HL VA	L	PN 160	28	G 1" -11	M 36 x 2	39	18	66	32,0	30,5	49,0	50	46	41
STOR NW 32 HL VA	L	PN 160	35	G 1.1/4" -11	M 45 x 2	35	20	76	36,0	35,5	58,0	60	55	50
STOR NW 40 HL VA	L	PN 160	42	G 1.1/2" -11	M 52 x 2	55	22	87	40,5	40,5	63,0	70	60	60
STOR NW 03 HS VA	S	PN 315	6	G 1/4" -19	M 14 x 1.5	18	12	30	16,5	14,0	31,0	22	19	17
STOR NW 04 HS VA	S	PN 315	8	G 1/4" -19	M 16 x 1.5	18	12	30	16,5	14,0	31,0	22	19	19
STOR NW 06 HS 1/4 VA	S	PN 315	10	G 1/4" -19	M 18 x 1.5	18	12	30	18,5	14,0	35,0	27	22	22
STOR NW 06 HS VA	S	PN 315	10	G 3/8" -19	M 18 x 1.5	22	12	36	18,5	16,5	35,0	27	24	22
STOR NW 08 HS VA	S	PN 315	12	G 3/8" -19	M 20 x 1.5	22	12	36	18,5	16,5	35,0	27	24	24
STOR NW 10 HS VA	S	PN 315	14	G 1/2" -14	M 22 x 1.5	26	14	45	22,5	21,5	30,5	32	30	27
STOR NW 13 HS VA	S	PN 315	16	G 1/2" -14	M 24 x 1.5	26	14	45	22,0	21,5	40,0	32	30	30
STOR NW 16 HS VA	S	PN 315	20	G 1/2" -14	M 30 x 2	26	14	45	22,0	21,5	40,0	32	30	30
STOR NW 20 HS VA	S	PN 160	25	G 1" -11	M 36 x 2	39	18	66	31,5	30,5	56,0	50	46	46
STOR NW 25 HS VA	S	PN 160	30	G 1.1/4" -11	M 42 x 2	49	20	76	37,0	35,5	64,0	60	55	50
STOR NW 32 HS VA	S	PN 160	38	G 1.1/2" -11	M 52 x 2	55	22	87	41,5	40,5	72,0	70	60	60

Series: LL = Very light L = Light S = Heavy - PN = Nominal pressure PB = Max. operating pressure - Ø d2 = External pipe diameter

## Product versions

**XSTOR VA** Banjo fitting, throttle free, T shaped, Socket (without union nut and cutting ring)