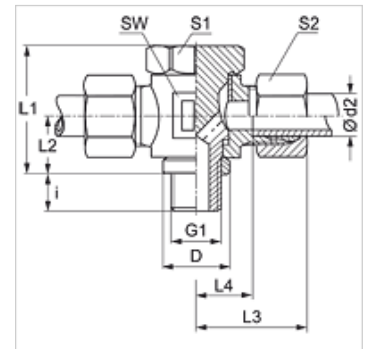


Properties

Connection 1	BSP external thread, cylindrical
Sealing form 1	Edge sealing ring
Connection 2 + 3	metric cylindrical outer thread
Sealing form 2 + 3	24° inner cone
Design	Banjo coupling, throttle free
Construction	T shaped
Standard	DIN 3865
Scope of supply	Socket with union nut and cutting ring
Material	Steel
Surface	electro galvanised


Note

Information about fitting, installation, pressure loads and permissible operating temperatures can be found in the technical information for pipe fittings.

Item

Identification	Series	Operating pressure	Ø d2 (mm)	G1	D (mm)	i (mm)	L1 (mm)	L2 (mm)	L3 (mm)	L4 (mm)	AF (mm)	S1	S2
STR NW 04 HL	L	PN 250	6	G 1/8" -28	14,0	8	24	10,5	27	12,0	17	17	14
STR NW 06 HL	L	PN 250	8	G 1/4" -19	18,0	12	30	14,0	29	14,5	22	19	17
STR NW 08 HL	L	PN 250	10	G 1/4" -19	18,0	12	30	14,0	30	15,5	22	19	19
STR NW 10 HL	L	PN 250	12	G 3/8" -19	22,0	12	36	16,5	33	18,0	27	24	22
STR NW 13 HL	L	PN 250	15	G 1/2" -14	26,0	14	45	21,5	37	21,5	32	30	27
STR NW 16 HL	L	PN 250	18	G 1/2" -14	26,5	14	45	21,5	37	21,0	32	30	32
STR NW 20 HL	L	PN 160	22	G 3/4" -14	32,0	16	53	24,0	44	27,5	41	36	36
STR NW 25 HL	L	PN 160	28	G 1" -11	39,0	18	66	30,5	49	32,0	50	46	41
STR NW 32 HL	L	PN 160	35	G 1.1/4" -11	49,0	20	76	35,5	58	36,0	60	55	50
STR NW 40 HL	L	PN 160	42	G 1.1/2" -11	55,0	22	87	40,5	63	40,5	70	60	60
STR NW 03 HS	S	PN 315	6	G 1/4" -19	18,0	12	30	14,0	31	16,5	22	19	17
STR NW 04 HS	S	PN 315	8	G 1/4" -19	18,0	12	30	14,0	31	16,5	22	19	19
STR NW 06 HS	S	PN 315	10	G 3/8" -19	22,0	12	36	16,5	35	18,5	27	24	22
STR NW 08 HS	S	PN 315	12	G 3/8" -19	22,0	12	36	16,5	35	18,5	27	24	24
STR NW 10 HS	S	PN 315	14	G 1/2" -14	26,0	14	45	21,5	40	22,5	32	30	27
STR NW 13 HS	S	PN 315	16	G 1/2" -14	26,0	14	45	21,5	40	22,0	32	30	30
STR NW 16 HS	S	PN 160	20	G 3/4" -14	32,0	16	53	24,0	48	26,5	41	36	36
STR NW 20 HS	S	PN 160	25	G 1" -11	39,0	18	66	30,5	56	31,5	50	46	46
STR NW 25 HS	S	PN 160	30	G 1.1/4" -11	49,0	20	76	35,5	64	37,0	60	55	50
STR NW 32 HS	S	PN 160	38	G 1.1/2" -11	55,0	22	87	40,5	72	41,5	70	60	60

Series: LL = Very light L = Light S = Heavy – PN = Nominal pressure PB = Max. operating pressure – Ø d2 = External pipe diameter

Product versions

XSTR Banjo fitting, throttle free, T shaped, Socket (without union nut and cutting ring)