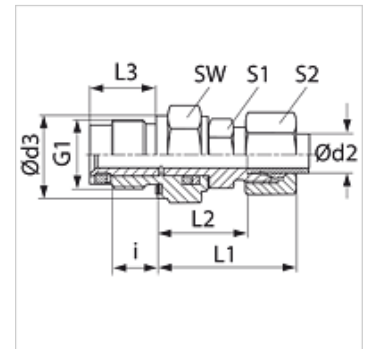


Properties

Connection 1	BSP external thread, cylindrical
Sealing form 1	Shape E
Connection 2	metric cylindrical outer thread
Sealing form 2	24° inner cone
Design	Rotary fitting (screw-in connector)
Construction type	Friction bearing
Construction	straight
Scope of supply	Socket (without union nut and cutting ring)
Material	Steel
Surface	electro galvanised



Note

Information about fitting, installation, pressure loads and permissible operating temperatures can be found in the technical information for pipe fittings.

Item

Identification	Series	Operating pressure	Ø d2 (mm)	G1	i (mm)	Ø d3 (mm)	L1 (mm)	L2 (mm)	L3 (mm)	AF (mm)	S1	S2
GVR NW 04 HL 1/4	L	PN 40	6	G 1/4" -19	12	19	40	21,0	18,0	19	12	14
GVR NW 06 HL	L	PN 40	8	G 1/4" -19	12	19	40	21,0	18,0	19	14	17
GVR NW 08 HL 3/8	L	PN 40	10	G 3/8" -19	12	22	40	25,0	18,0	24	17	19
GVR NW 10 HL 1/2	L	PN 40	12	G 1/2" -14	14	27	42	27,0	21,0	27	19	22
GVR NW 13 HL 3/4	L	PN 40	15	G 3/4" -14	16	32	47	32,0	24,0	32	24	27
GVR NW 16 HL 1	L	PN 40	18	G 1" -11	18	40	51	35,0	27,5	41	27	22
GVR NW 20 HL 1	L	PN 40	22	G 1" -11	18	40	55	39,5	27,5	41	32	36
GVR NW 25 HL 1 1/4	L	PN 40	28	G 1.1/4" -11	20	40	57	40,5	31,0	50	41	41
GVR NW 32 HL 1 1/2	L	PN 40	35	G 1.1/2" -11	22	55	66	44,5	35,0	55	46	50
GVR NW 03 HS	S	PN 100	6	G 1/4" -19	12	19	38	23,0	18,0	19	14	17
GVR NW 04 HS	S	PN 100	8	G 1/4" -19	12	19	39	24,0	18,0	19	17	19
GVR NW 06 HS	S	PN 100	10	G 3/8" -19	12	22	43	26,5	18,0	24	19	22
GVR NW 08 HS 1/2	S	PN 100	12	G 1/2" -14	14	27	45	28,5	21,0	27	22	24
GVR NW 13 HS 3/4	S	PN 100	16	G 3/4" -14	16	32	52	33,5	24,0	32	27	30
GVR NW 16 HS 1	S	PN 100	20	G 1" -11	18	40	60	38,0	27,5	41	32	36
GVR NW 20 HS	S	PN 100	25	G 1" -11	18	40	65	40,5	27,5	41	41	46
GVR NW 25 HS 1 1/4	S	PN 100	30	G 1.1/4" -11	20	50	68	41,5	31,0	50	46	50
GVR NW 32 HS 1 1/2	S	PN 100	38	G 1.1/2" -11	22	55	78	47,0	35,0	55	55	60

Series: LL = Very light L = Light S = Heavy - PN = Nominal pressure PB = Max. operating pressure - Ø d2 = External pipe diameter