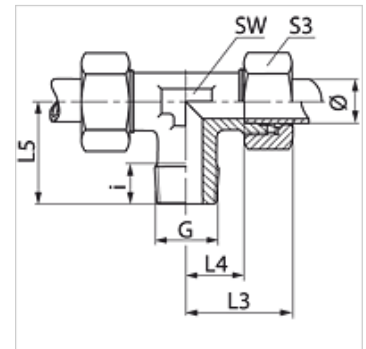


### Properties

<b>Connection 1</b>	metric conical outer thread
<b>Sealing form 1</b>	thread seal
<b>Connection 2 + 3</b>	metric cylindrical outer thread
<b>Sealing form 2 + 3</b>	24° inner cone
<b>Design</b>	Screw-in fitting
<b>Construction</b>	T shaped
<b>Standard</b>	DIN 2353 ISO 8434-1
<b>Scope of supply</b>	Socket with union nut and cutting ring
<b>Material</b>	Steel
<b>Surface</b>	electro galvanised



### Note

Information about fitting, installation, pressure loads and permissible operating temperatures can be found in the technical information for pipe fittings.

### Item

Identification	Series	Operating pressure	External pipe Ø (mm)	G	i (mm)	L3 (mm)	L4 (mm)	L5 (mm)	AF (mm)	S3
TM 04 LL	LL	PN 100	4	M 8 x 1 K	8	21	11,0	17	9	10
TM 05 LL	LL	PN 100	4	M 8 x 1 K	8	21	11,0	17	9	10
TM 06 LL	LL	PN 100	6	M 10 x 1 K	8	21	9,5	17	9	12
TM 08 LL	LL	PN 100	8	M 10 x 1 K	8	23	11,5	20	12	14
TM NW 04 HL	L	PN 315	6	M 10 x 1 K	8	27	12,0	20	12	14
TM NW 06 HL	L	PN 315	8	M 12 x 1.5 K	12	29	14,0	26	12	17
TM NW 08 HL	L	PN 315	10	M 14 x 1.5 K	12	30	15,0	27	14	19
TM NW 10 HL	L	PN 315	12	M 16 x 1.5 K	12	32	17,0	28	17	22
TM NW 13 HL	L	PN 315	15	M 18 x 1.5 K	12	36	21,0	32	19	27
TM NW 16 HL	L	PN 315	18	M 22 x 1.5 K	14	40	23,5	36	24	32
TM NW 03 HS	S	PN 400	6	M 12 x 1.5 K	12	31	16,0	26	12	17
TM NW 04 HS	S	PN 400	8	M 14 x 1.5 K	12	32	17,0	27	14	19
TM NW 06 HS	S	PN 400	10	M 16 x 1.5 K	12	34	17,5	28	17	22
TM NW 08 HS	S	PN 400	12	M 18 x 1.5 K	12	38	21,5	28	19	24
TM NW 10 HS	S	PN 400	14	M 20 x 1.5 K	14	40	22,0	32	19	27
TM NW 13 HS	S	PN 400	16	M 22 x 1.5 K	14	43	24,5	32	24	30

Ø = External pipe diameter – PN = Nominal pressure PB = Max. operating pressure – Series: LL = Very light L = Light S = Heavy

### Product versions

TMK VA Screw-in fitting, T shaped, Stainless steel