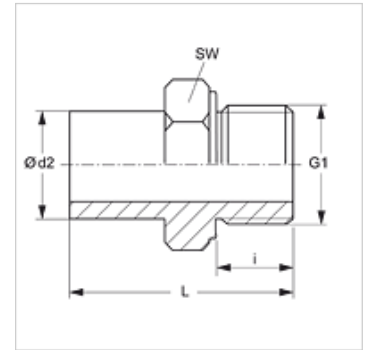


Properties

| | |
|------------------------|---|
| Connection 1 | metric cylindrical outer thread |
| Sealing form 1 | Shape B |
| Connection 2 | Pipe socket not pre-assembled |
| Sealing form 2 | Cutting ring connection |
| Design | Screw-in sockets |
| Construction | straight |
| Standard | DIN 2353 ISO 8434-1 |
| Scope of supply | Socket (without union nut and cutting ring) |
| Material | Steel |
| Surface | electro galvanised |



Note

Information about fitting, installation, pressure loads and permissible operating temperatures can be found in the technical information for pipe fittings.

Item

| Identification | Series | Operating pressure | Ø d2 (mm) | G1 | i (mm) | L (mm) | AF (mm) |
|----------------|--------|--------------------|-----------|------------|--------|--------|---------|
| NVM NW 04 L | L | PN 315 | 6 | M 10 x 1 | 8 | 32,5 | 14 |
| NVM NW 06 L | L | PN 315 | 8 | M 12 x 1.5 | 12 | 38,0 | 17 |
| NVM NW 08 L | L | PN 315 | 10 | M 14 x 1.5 | 12 | 39,5 | 19 |
| NVM NW 10 L | L | PN 315 | 12 | M 16 x 1.5 | 12 | 41,5 | 22 |
| NVM NW 10 L 14 | L | PN 315 | 12 | M 14 x 1.5 | 12 | 41,5 | 19 |
| NVM NW 10 L 18 | L | PN 315 | 12 | M 18 x 1.5 | 12 | 41,5 | 24 |
| NVM NW 10 L 22 | L | PN 315 | 12 | M 22 x 1.5 | 14 | 44,0 | 27 |
| NVM NW 13 L | L | PN 315 | 15 | M 18 x 1.5 | 12 | 43,5 | 27 |
| NVM NW 13 L 22 | L | PN 315 | 15 | M 22 x 1.5 | 17 | 48,0 | 27 |
| NVM NW 16 L | L | PN 315 | 18 | M 22 x 1.5 | 14 | 45,5 | 27 |
| NVM NW 20 L | L | PN 160 | 22 | M 26 x 1.5 | 16 | 48,5 | 32 |
| NVM NW 25 L | L | PN 160 | 28 | M 33 x 2 | 18 | 53,0 | 41 |
| NVM NW 32 L | L | PN 160 | 35 | M 42 x 2 | 20 | 62,5 | 50 |
| NVM NW 40 L | L | PN 160 | 42 | M 48 x 2 | 22 | 68,5 | 55 |
| NVM NW 03 S | S | PN 400 | 6 | M 12 x 1.5 | 12 | 39,0 | 17 |
| NVM NW 04 S | S | PN 400 | 8 | M 14 x 1.5 | 12 | 41,5 | 19 |
| NVM NW 06 S | S | PN 400 | 10 | M 16 x 1.5 | 12 | 44,0 | 22 |
| NVM NW 08 S | S | PN 400 | 12 | M 18 x 1.5 | 12 | 46,0 | 24 |
| NVM NW 10 S | S | PN 400 | 14 | M 20 x 1.5 | 14 | 50,0 | 27 |
| NVM NW 13 S | S | PN 400 | 16 | M 22 x 1.5 | 14 | 51,0 | 27 |
| NVM NW 16 S | S | PN 400 | 20 | M 27 x 2 | 16 | 59,0 | 32 |
| NVM NW 20 S | S | PN 250 | 25 | M 33 x 2 | 18 | 66,0 | 46 |
| NVM NW 25 S | S | PN 160 | 30 | M 42 x 2 | 20 | 51,0 | 50 |
| NVM NW 32 S | S | PN 160 | 38 | M 48 x 2 | 22 | 82,0 | 55 |

Series: LL = Very light L = Light S = Heavy – PN = Nominal pressure PB = Max. operating pressure – Ø d2 = External pipe diameter

Product versions

NVM VA Screw-in sockets, Stainless steel

Additional elements

VOM Pre-assembly sockets