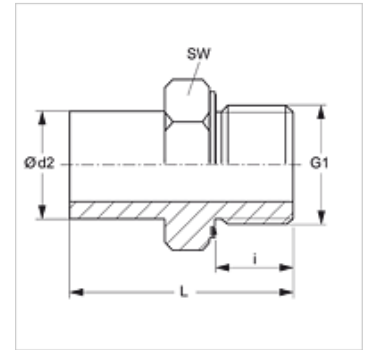


# NVM ED VA

## Screw-in sockets

### Properties

<b>Connection 1</b>	metric cylindrical outer thread
<b>Sealing form 1</b>	Shape E
<b>Connection 2</b>	Pipe socket not pre-assembled
<b>Sealing form 2</b>	Cutting ring connection
<b>Design</b>	Screw-in sockets
<b>Construction</b>	straight
<b>Standard</b>	DIN 2353 ISO 8434-1
<b>Scope of supply</b>	Socket (without union nut and cutting ring)
<b>Material</b>	Stainless steel



### Note

Information about fitting, installation, pressure loads and permissible operating temperatures can be found in the technical information for pipe fittings.

### Ordering information

Seals of NBR  
FPM (Viton) on request

### Item

Identification	Series	Operating pressure	Ø d2 (mm)	G1	i (mm)	L (mm)	AF (mm)
NVM NW 04 L ED VA	L	PN 315	6	M 10 x 1	8	32,5	14
NVM NW 06 L ED VA	L	PN 315	8	M 12 x 1.5	12	38,5	17
NVM NW 08 L ED VA	L	PN 315	10	M 16 x 1.5	12	39,5	19
NVM NW 10 L ED VA	L	PN 315	12	M 16 x 1.5	12	41,5	22
NVM NW 13 L ED VA	L	PN 315	15	M 18 x 1.5	12	43,5	24
NVM NW 16 L ED VA	L	PN 315	18	M 22 x 1.5	14	45,5	27
NVM NW 20 L ED VA	L	PN 160	22	M 26 x 1.5	16	48,5	32
NVM NW 25 L ED VA	L	PN 160	28	M 33 x 2	18	53,0	41
NVM NW 32 L ED VA	L	PN 160	35	M 42 x 2	20	62,5	50
NVM NW 40 L ED VA	L	PN 160	42	M 48 x 2	22	68,5	55
NVM NW 03 S ED VA	S	PN 630	6	M 12 x 1.5	12	39,0	17
NVM NW 04 S ED VA	S	PN 630	8	M 14 x 1.5	12	41,5	19
NVM NW 06 S ED VA	S	PN 630	10	M 16 x 1.5	12	44,0	22
NVM NW 08 S ED VA	S	PN 630	12	M 18 x 1.5	12	46,0	24
NVM NW 10 S ED VA	S	PN 630	14	M 20 x 1.5	14	50,0	27
NVM NW 13 S ED VA	S	PN 400	16	M 22 x 1.5	14	51,0	27
NVM NW 16 S ED VA	S	PN 400	20	M 27 x 2	16	59,0	32
NVM NW 20 S ED VA	S	PN 400	25	M 33 x 2	18	66,0	41
NVM NW 25 S ED VA	S	PN 400	30	M 42 x 2	20	71,0	50
NVM NW 32 S ED VA	S	PN 315	38	M 48 x 2	22	82,0	55

Series: LL = Very light L = Light S = Heavy - PN = Nominal pressure PB = Max. operating pressure - Ø d2 = External pipe diameter

### Product versions

NVM ED Screw-in sockets, Steel

### Spare parts

WD V Soft seal for ED fittings

### Additional elements

VOM Pre-assembly sockets