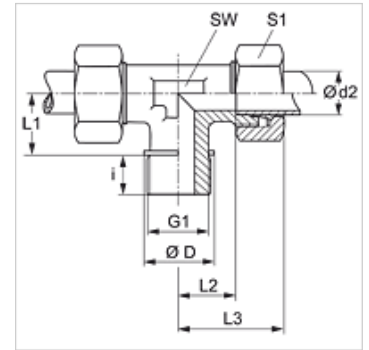


# TR

## Screw-in fitting, T shaped

### Properties

<b>Connection 1</b>	BSP external thread, cylindrical
<b>Sealing form 1</b>	Shape B
<b>Connection 2 + 3</b>	metric cylindrical outer thread
<b>Sealing form 2 + 3</b>	24° inner cone
<b>Design</b>	Screw-in fitting
<b>Construction</b>	T shaped
<b>Standard</b>	DIN 2353 ISO 8434-1
<b>Scope of supply</b>	Socket with union nut and cutting ring
<b>Material</b>	Steel
<b>Surface</b>	electro galvanised



### Note

Information about fitting, installation, pressure loads and permissible operating temperatures can be found in the technical information for pipe fittings.

### Item

Identification	Series	Operating pressure	Ø d2 (mm)	G1	Ø D (mm)	i (mm)	L1 (mm)	L2 (mm)	L3 (mm)	AF (mm)	S1
TR NW 20 HL	L	PN 160	22	G 3/4" -14	32	16	26	27,5	44	27	36
TR NW 25 HL	L	PN 160	28	G 1" -11	39	18	30	30,5	47	36	41
TR NW 32 HL	L	PN 160	35	G 1.1/4" -11	49	20	34	34,5	56	41	50
TR NW 40 HL	L	PN 160	42	G 1.1/2" -11	55	22	39	40,0	63	50	60
TR NW 16 HS	S	PN 400	20	G 3/4" -14	32	16	26	26,5	48	27	36
TR NW 20 HS	S	PN 250	25	G 1" -11	39	18	30	30,0	54	36	46
TR NW 25 HS	S	PN 160	30	G 1.1/4" -11	49	20	34	35,5	62	41	50
TR NW 32 HS	S	PN 160	38	G 1.1/2" -11	55	22	39	41,0	72	50	60

Series: LL = Very light L = Light S = Heavy – PN = Nominal pressure PB = Max. operating pressure – Ø d2 = External pipe diameter

### Product versions

TR VA	Screw-in fitting, T shaped, Stainless steel
XTR	Screw-in fitting, T shaped, Steel