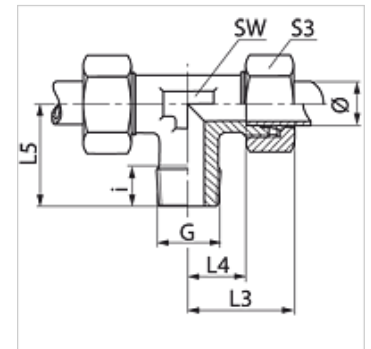


### Properties

<b>Connection 1</b>	BSPT conical external threads
<b>Sealing form 1</b>	thread seal
<b>Connection 2 + 3</b>	metric cylindrical outer thread
<b>Sealing form 2 + 3</b>	24° inner cone
<b>Design</b>	Screw-in fitting
<b>Construction</b>	T shaped
<b>Standard</b>	DIN 2353 ISO 8434-1
<b>Scope of supply</b>	Socket with union nut and cutting ring
<b>Material</b>	Steel
<b>Surface</b>	electro galvanised



### Note

Information about fitting, installation, pressure loads and permissible operating temperatures can be found in the technical information for pipe fittings.

### Item

Identification	Series	Operating pressure	External pipe Ø (mm)	G	i (mm)	L3 (mm)	L4 (mm)	L5 (mm)	AF (mm)	S3
TR 04 LL	LL	PN 100	4	R 1/8" K	8	21	11,0	17	9	10
TR 05 LL	LL	PN 100	5	R 1/8" K	8	21	9,5	17	11	12
TR 06 LL	LL	PN 100	6	R 1/8" K	8	21	9,5	17	9	12
TR 08 LL	LL	PN 100	8	R 1/8" K	8	23	11,5	20	12	14
TR 10 LL	LL	PN 100	10	R 1/4" K	12	24	12,5	11	14	17
TR 12 LL	LL	PN 100	12	R 1/4" K	12	25	13,0	11	17	19
TR NW 04 HL	L	PN 315	6	R 1/8" K	8	27	12,0	20	12	14
TR NW 06 HL	L	PN 315	8	R 1/4" K	12	29	14,0	26	12	17
TR NW 08 HL	L	PN 315	10	R 1/4" K	12	30	15,0	27	14	19
TR NW 10 HL	L	PN 315	12	R 3/8" K	12	32	17,0	28	17	22
TR NW 13 HL	L	PN 315	15	R 1/2" K	14	36	21,0	34	19	27
TR NW 16 HL	L	PN 315	18	R 1/2" K	14	40	23,5	36	24	32
TR NW 03 HS	S	PN 400	6	R 1/4" K	12	31	16,0	26	12	17
TR NW 04 HS	S	PN 400	8	R 1/4" K	12	32	17,0	27	14	19
TR NW 06 HS	S	PN 400	10	R 3/8" K	12	34	17,5	28	17	22
TR NW 08 HS	S	PN 400	12	R 3/8" K	12	38	21,5	28	17	24
TR NW 10 HS	S	PN 400	14	R 1/2" K	14	40	22,0	32	19	27
TR NW 13 HS	S	PN 400	16	R 1/2" K	14	43	24,5	32	24	30

Ø = External pipe diameter – Series: LL = Very light L = Light S = Heavy – PN = Nominal pressure PB = Max. operating pressure

### Product versions

<b>TRK MG</b>	Screw-in fitting, T shaped, Brass
<b>TRK VA</b>	Screw-in fitting, T shaped, Stainless steel
<b>XTRK</b>	Screw-in fitting, T shaped, Steel