

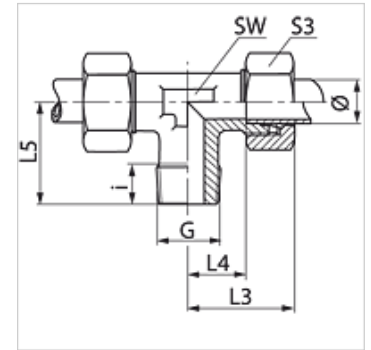
# TRK MG

Screw-in fitting, T shaped

**HANSA FLEX**

## Properties

<b>Connection 1</b>	BSPT conical external threads
<b>Sealing form 1</b>	thread seal
<b>Connection 2 + 3</b>	metric cylindrical outer thread
<b>Sealing form 2 + 3</b>	24° inner cone
<b>Design</b>	Screw-in fitting
<b>Construction</b>	T shaped
<b>Standard</b>	DIN 2353 ISO 8434-1
<b>Scope of supply</b>	Socket with union nut and cutting ring
<b>Material</b>	Brass



## Note

Information about fitting, installation, pressure loads and permissible operating temperatures can be found in the technical information for pipe fittings.

## Item

Identification	Series	Operating pressure	External pipe Ø (mm)	G	i (mm)	L3 (mm)	L4 (mm)	L5 (mm)	AF (mm)	S3
TR 06 LL MG	LL	PN 63	6	R 1/8" K	8	21	9,5	17	9	12
TR NW 04 HL MG	L	PN 200	6	R 1/8" K	8	27	12,0	20	12	14
TR NW 06 HL MG	L	PN 200	8	R 1/4" K	12	29	14,0	26	12	17
TR NW 08 HL MG	L	PN 200	10	R 1/4" K	12	30	15,0	27	14	19
TR NW 10 HL MG	L	PN 200	12	R 3/8" K	12	32	17,0	28	17	22
TR NW 13 HL MG	L	PN 200	15	R 1/2" K	14	36	21,0	34	19	27
TR NW 03 HS MG	S	PN 250	6	R 1/4" K	12	31	16,0	26	12	17
TR NW 06 HS MG	S	PN 250	10	R 3/8" K	12	34	17,5	28	17	22

Ø = External pipe diameter – Series: LL = Very light L = Light S = Heavy – PN = Nominal pressure PB = Max. operating pressure

## Product versions

TRK	Screw-in fitting, T shaped, Steel
TRK VA	Screw-in fitting, T shaped, Stainless steel