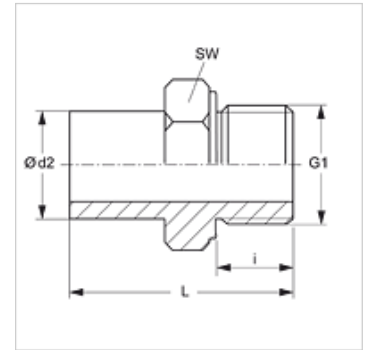


Properties

Connection 1	BSP external thread, cylindrical
Sealing form 1	Shape B
Connection 2	Pipe socket not pre-assembled
Sealing form 2	Cutting ring connection
Design	Screw-in sockets
Construction	straight
Standard	DIN 2353 ISO 8434-1
Scope of supply	Socket (without union nut and cutting ring)
Material	Stainless steel



Note

Information about fitting, installation, pressure loads and permissible operating temperatures can be found in the technical information for pipe fittings.

Item

Identification	Series	Operating pressure	Ø d2 (mm)	G1	i (mm)	L (mm)	AF (mm)
NVR NW 06 L VA	L	PN 315	8	G 1/4" -19	12	39,0	19
NVR NW 03 S VA	S	PN 630	6	G 1/4" -19	12	39,0	19
NVR NW 04 S VA	S	PN 630	8	G 1/4" -19	12	39,0	19
NVR NW 06 S VA	S	PN 630	10	G 3/8" -19	12	44,0	22
NVR NW 08 S VA	S	PN 630	12	G 3/8" -19	12	44,0	22
NVR NW 10 S VA	S	PN 630	14	G 1/2" -14	14	50,5	27
NVR NW 13 S VA	S	PN 400	16	G 1/2" -14	14	51,0	27
NVR NW 16 S VA	S	PN 400	20	G 3/4" -14	16	59,0	32
NVR NW 20 S VA	S	PN 400	25	G 1" -11	18	66,0	41
NVR NW 25 S VA	S	PN 250	30	G 1.1/4" -11	20	71,0	50
NVR NW 32 S VA	S	PN 250	38	G 1.1/2" -11	22	82,0	55

Series: LL = Very light L = Light S = Heavy – PN = Nominal pressure PB = Max. operating pressure – Ø d2 = External pipe diameter

Product versions

NVR Screw-in sockets, Steel

Additional elements

VOM Pre-assembly sockets