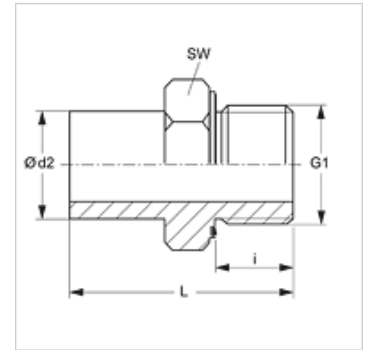


### Properties

<b>Connection 1</b>	BSP external thread, cylindrical
<b>Sealing form 1</b>	Shape E
<b>Connection 2</b>	Pipe socket not pre-assembled
<b>Sealing form 2</b>	Cutting ring connection
<b>Design</b>	Screw-in sockets
<b>Construction</b>	straight
<b>Standard</b>	DIN 2353 ISO 8434-1
<b>Scope of supply</b>	Socket (without union nut and cutting ring)
<b>Material</b>	Steel
<b>Surface</b>	electro galvanised



### Note

Information about fitting, installation, pressure loads and permissible operating temperatures can be found in the technical information for pipe fittings.

### Item

Identification	Series	Operating pressure	Ø d2 (mm)	G1	i (mm)	L (mm)	AF (mm)
NVR NW 04 L ED	L	PN 315	6	G 1/8" -28	8	32,5	14
NVR NW 06 L ED	L	PN 315	8	G 1/4" -19	12	39,0	19
NVR NW 08 L ED	L	PN 315	10	G 1/4" -19	12	39,5	19
NVR NW 10 L 1/4 ED	L	PN 315	12	G 1/4" -19	12	40,5	19
NVR NW 10 L ED	L	PN 315	12	G 3/8" -19	12	42,0	22
NVR NW 10 L 1/2 ED	L	PN 315	12	G 1/2" -14	14	44,5	27
NVR NW 13 L 3/8 ED	L	PN 315	15	G 3/8" -19	12	42,0	22
NVR NW 13 L ED	L	PN 315	15	G 1/2" -14	14	44,5	27
NVR NW 16 L ED	L	PN 315	18	G 1/2" -14	14	45,5	27
NVR NW 20 L ED	L	PN 160	22	G 3/4" -14	16	48,5	32
NVR NW 25 L ED	L	PN 160	28	G 1" -11	18	53,0	41
NVR NW 32 L ED	L	PN 160	35	G 1.1/4" -11	20	62,5	50
NVR NW 40 L ED	L	PN 160	42	G 1.1/2" -11	22	69,0	55
NVR NW 03 S ED	S	PN 630	6	G 1/4" -19	12	39,0	19
NVR NW 04 S ED	S	PN 630	8	G 1/4" -19	12	39,0	19
NVR NW 06 S ED	S	PN 630	10	G 3/8" -19	12	44,0	22
NVR NW 08 S ED	S	PN 630	12	G 3/8" -19	12	44,0	22
NVR NW 08 S 1/2 ED	S	PN 630	12	G 1/2" -14	14	49,0	27
NVR NW 10 S ED	S	PN 630	14	G 1/2" -14	14	50,5	27
NVR NW 13 S ED	S	PN 400	16	G 1/2" -14	14	51,0	27
NVR NW 16 S ED	S	PN 400	20	G 3/4" -14	16	59,0	32
NVR NW 20 S ED	S	PN 400	25	G 1" -11	18	66,0	41
NVR NW 25 S ED	S	PN 400	30	G 1.1/4" -11	20	71,0	50
NVR NW 32 S ED	S	PN 315	38	G 1.1/2" -11	22	82,0	55

Series: LL = Very light L = Light S = Heavy – PN = Nominal pressure PB = Max. operating pressure – Ø d2 = External pipe diameter

### Product versions

NVR ED VA Screw-in sockets, Stainless steel

### Spare parts

WD Soft seal for ED fittings

### Additional elements

VOM Pre-assembly sockets