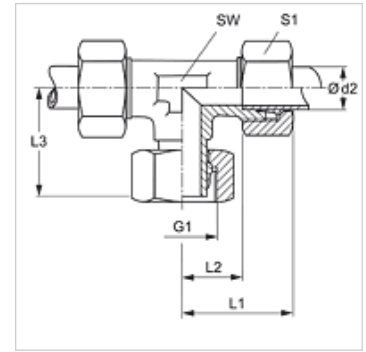


Properties

Connection 1	metric nut thread
Sealing form 1	Pipe socket with cutting ring
Connection 2 + 3	metric cylindrical outer thread
Sealing form 2 + 3	24° inner cone
Design	Adjustable direction fitting
Construction	T shaped
Standard	DIN 2353 ISO 8434-1
Scope of supply	Socket with union nut and cutting ring
Material	Steel
Surface	electro galvanised



Note

Information about fitting, installation, pressure loads and permissible operating temperatures can be found in the technical information for pipe fittings.

Item

Identification	Series	Operating pressure	Ø d2 (mm)	G1	L1 (mm)	L2 (mm)	L3 (mm)	AF (mm)	S1
VET 16 LL	LL	PN 100	16	M 22 x 1.5	36	21,0	33,0	19	27
VET NW 04 HL	L	PN 315	6	M 12 x 1.5	27	12,0	26,0	12	14
VET NW 06 HL	L	PN 315	8	M 14 x 1.5	29	14,0	27,0	12	17
VET NW 08 HL	L	PN 315	10	M 16 x 1.5	30	15,0	28,5	14	19
VET NW 10 HL	L	PN 315	12	M 18 x 1.5	32	17,0	29,0	17	22
VET NW 13 HL	L	PN 315	15	M 22 x 1.5	36	21,0	32,0	19	27
VET NW 16 HL	L	PN 315	18	M 26 x 1.5	40	23,5	36,0	24	32
VET NW 20 HL	L	PN 160	22	M 30 x 2	44	27,5	38,0	27	36
VET NW 25 HL	L	PN 160	28	M 36 x 2	47	30,5	41,5	36	41
VET NW 32 HL	L	PN 160	35	M 45 x 2	56	34,5	51,0	41	50
VET NW 40 HL	L	PN 160	42	M 52 x 2	63	40,0	56,0	50	60
VET NW 03 HS	S	PN 630	6	M 14 x 1.5	31	16,0	27,0	12	17
VET NW 04 HS	S	PN 630	8	M 16 x 1.5	32	17,0	27,0	14	19
VET NW 06 HS	S	PN 630	10	M 18 x 1.5	34	17,5	29,5	17	22
VET NW 08 HS	S	PN 630	12	M 20 x 1.5	38	21,5	30,5	17	24
VET NW 10 HS	S	PN 630	14	M 22 x 1.5	40	22,0	34,5	19	27
VET NW 13 HS	S	PN 400	16	M 24 x 1.5	43	24,5	36,0	24	30
VET NW 16 HS	S	PN 400	20	M 30 x 2	48	26,5	44,0	27	36
VET NW 20 HS	S	PN 400	25	M 36 x 2	54	30,0	49,5	36	46
VET NW 25 HS	S	PN 400	30	M 42 x 2	62	36,5	55,0	41	50
VET NW 32 HS	S	PN 315	38	M 52 x 2	72	41,0	63,0	50	60

Series: LL = Very light L = Light S = Heavy - PN = Nominal pressure PB = Max. operating pressure - Ø d2 = External pipe diameter

Product versions

VET MG	Fitting, T shaped, Brass
VET VA	Fitting, T shaped, Stainless steel
XVET	Fitting, T shaped, Steel