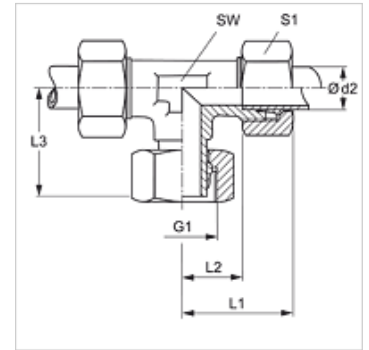


# VET MG

Fitting, T shaped

## Properties

<b>Connection 1</b>	metric nut thread
<b>Sealing form 1</b>	Pipe socket with cutting ring
<b>Connection 2 + 3</b>	metric cylindrical outer thread
<b>Sealing form 2 + 3</b>	24° inner cone
<b>Design</b>	Adjustable direction fitting
<b>Construction</b>	T shaped
<b>Standard</b>	DIN 2353 ISO 8434-1
<b>Scope of supply</b>	Socket with union nut and cutting ring
<b>Material</b>	Brass



## Note

Information about fitting, installation, pressure loads and permissible operating temperatures can be found in the technical information for pipe fittings.

## Item

Identification	Series	Operating pressure	Ø d2 (mm)	G1	L1 (mm)	L2 (mm)	L3 (mm)	AF (mm)	S1
VET NW 04 HL MG	L	PN 200	6	M 12 x 1.5	27	12,0	26,0	12	14
VET NW 06 HL MG	L	PN 200	8	M 14 x 1.5	29	14,0	27,0	12	17
VET NW 08 HL MG	L	PN 200	10	M 16 x 1.5	30	15,0	28,5	14	19
VET NW 10 HL MG	L	PN 200	12	M 18 x 1.5	32	17,0	29,0	17	22
VET NW 13 HL MG	L	PN 200	15	M 22 x 1.5	36	21,0	32,0	19	27
VET NW 16 HL MG	L	PN 200	18	M 26 x 1.5	40	23,5	36,0	24	32
VET NW 04 HS MG	S	PN 250	8	M 16 x 1.5	32	17,0	27,0	14	19

Series: LL = Very light L = Light S = Heavy – PN = Nominal pressure PB = Max. operating pressure – Ø d2 = External pipe diameter

## Product versions

VET	Fitting, T shaped, Steel
VET VA	Fitting, T shaped, Stainless steel