

### Properties

**Connection 1** BSP external thread, cylindrical

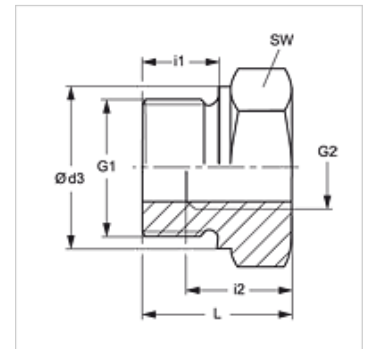
**Sealing form 1** Shape B

**Connection 2** BSP cylindrical internal threads

**Design** Reducing adapters

**Construction** short

**Material** Brass



### Note

Information about fitting, installation, pressure loads and permissible operating temperatures can be found in the technical information for pipe fittings.

### Item

Identification	Operating pressure	G1	G2	Ø d3 (mm)	i1 (mm)	i2 (mm)	L (mm)	AF (mm)
RIK NW 10 03 MG	PN 250	G 3/8" -19	G 1/8" -28	22	12	8	22,5	22
RIK NW 13 03 MG	PN 250	G 1/2" -14	G 1/8" -28	26	14	8	24,0	27
RIK NW 13 06 MG	PN 200	G 1/2" -14	G 1/4" -19	26	14	12	24,0	27
RIK NW 20 06 MG	PN 200	G 3/4" -14	G 1/4" -19	32	16	12	26,0	32
RIK NW 20 10 MG	PN 200	G 3/4" -14	G 3/8" -19	32	16	12	26,0	32
RIK NW 25 10 MG	PN 200	G 1" -11	G 3/8" -19	39	18	12	29,0	41
RIK NW 25 13 MG	PN 200	G 1" -11	G 1/2" -14	39	18	14	29,0	41
RIK NW 32 13 MG	PN 100	G 1.1/4" -11	G 1/2" -14	49	20	14	32,0	50
RIK NW 32 20 MG	PN 100	G 1.1/4" -11	G 3/4" -14	49	20	16	32,0	60
RIK NW 40 13 MG	PN 100	G 1.1/2" -11	G 1/2" -14	55	22	14	36,0	55
RIK NW 40 20 MG	PN 100	G 1.1/2" -11	G 3/4" -14	55	22	16	36,0	55
RIK NW 40 25 MG	PN 100	G 1.1/2" -11	G 1" -11	55	22	18	36,0	55

PN = Nominal pressure PB = Max. operating pressure

### Product versions

RIK Reducing adapter, short, Steel

RIK VA Reducing adapter, short, Stainless steel