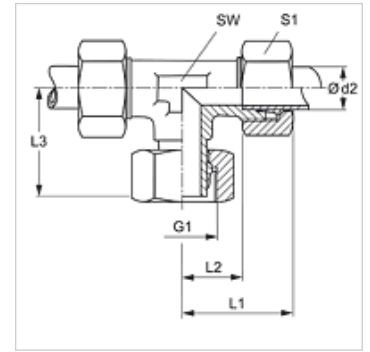


# VET VA

## Fitting, T shaped

### Properties

<b>Connection 1</b>	metric nut thread
<b>Sealing form 1</b>	Pipe socket with cutting ring
<b>Connection 2 + 3</b>	metric cylindrical outer thread
<b>Sealing form 2 + 3</b>	24° inner cone
<b>Design</b>	Adjustable direction fitting
<b>Construction</b>	T shaped
<b>Standard</b>	DIN 2353 ISO 8434-1
<b>Scope of supply</b>	Socket with union nut and cutting ring
<b>Material</b>	Stainless steel



### Note

Information about fitting, installation, pressure loads and permissible operating temperatures can be found in the technical information for pipe fittings.

### Item

Identification	Series	Operating pressure	Ø d2 (mm)	G1	L1 (mm)	L2 (mm)	L3 (mm)	AF (mm)	S1
VET NW 04 HL VA	L	PN 315	6	M 12 x 1.5	27	12,0	26,0	12	14
VET NW 06 HL VA	L	PN 315	8	M 14 x 1.5	29	14,0	27,0	12	17
VET NW 08 HL VA	L	PN 315	10	M 16 x 1.5	30	15,0	28,5	14	19
VET NW 10 HL VA	L	PN 315	12	M 18 x 1.5	32	17,0	29,0	17	22
VET NW 13 HL VA	L	PN 315	15	M 22 x 1.5	36	21,0	32,0	19	27
VET NW 16 HL VA	L	PN 315	18	M 26 x 1.5	40	23,5	36,0	24	32
VET NW 20 HL VA	L	PN 160	22	M 30 x 2	44	27,5	38,0	27	36
VET NW 25 HL VA	L	PN 160	28	M 36 x 2	47	30,5	41,5	36	41
VET NW 32 HL VA	L	PN 160	35	M 45 x 2	56	34,5	51,0	41	50
VET NW 40 HL VA	L	PN 160	42	M 52 x 2	63	40,0	56,0	50	60
VET NW 03 HS VA	S	PN 630	6	M 14 x 1.5	31	16,0	27,0	12	17
VET NW 04 HS VA	S	PN 630	8	M 16 x 1.5	32	17,0	27,0	14	19
VET NW 06 HS VA	S	PN 630	10	M 18 x 1.5	34	17,5	29,5	17	22
VET NW 08 HS VA	S	PN 630	12	M 20 x 1.5	38	21,5	30,5	17	24
VET NW 10 HS VA	S	PN 630	14	M 22 x 1.5	40	22,0	34,5	19	27
VET NW 13 HS VA	S	PN 400	16	M 24 x 1.5	43	24,5	36,0	24	30
VET NW 16 HS VA	S	PN 400	20	M 30 x 2	48	26,5	44,0	27	36
VET NW 20 HS VA	S	PN 400	25	M 36 x 2	54	30,0	49,5	36	46
VET NW 25 HS VA	S	PN 400	30	M 42 x 2	62	36,5	55,0	41	50
VET NW 32 HS VA	S	PN 315	38	M 52 x 2	72	41,0	63,0	50	60

Series: LL = Very light L = Light S = Heavy - PN = Nominal pressure PB = Max. operating pressure - Ø d2 = External pipe diameter

### Product versions

VET	Fitting, T shaped, Steel
VET MG	Fitting, T shaped, Brass
XVET VA	Fitting, T shaped, Stainless steel