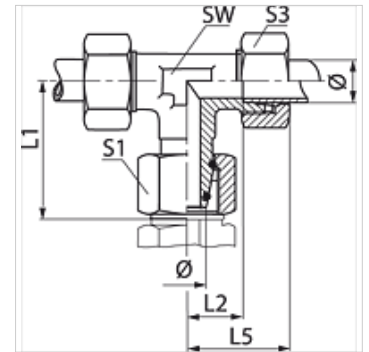


VETO

Fitting, T shaped

Properties

Connection 1	metric nut thread
Sealing form 1	24° outer cone with O-ring
Connection 2 + 3	metric cylindrical outer thread
Sealing form 2 + 3	24° inner cone
Design	Adjustable direction fitting
Construction	T shaped
Standard	ISO 8434-4
Scope of supply	Socket with union nut and cutting ring
Material	Steel
Surface	electro galvanised



Note

Information about fitting, installation, pressure loads and permissible operating temperatures can be found in the technical information for pipe fittings.

Item

Identification	Series	Operating pressure	Ø d2 (mm)	L1 (mm)	L2 (mm)	L5 (mm)	AF (mm)	S1	S3	OR
VETO NW 04 HL	L	PN 315	6	26,0	12,0	27	12	14	14	4.0 x 1.5
VETO NW 06 HL	L	PN 315	8	27,5	14,0	29	12	17	17	6.0 x 1.5
VETO NW 08 HL	L	PN 315	10	29,0	15,0	30	14	19	19	7.5 x 1.5
VETO NW 10 HL	L	PN 315	12	29,5	17,0	32	17	22	22	9.0 x 1.5
VETO NW 13 HL	L	PN 315	15	32,5	21,0	36	19	27	27	12.0 x 2.0
VETO NW 16 HL	L	PN 315	18	35,5	23,5	40	24	32	32	15.0 x 2.0
VETO NW 20 HL	L	PN 160	22	38,5	27,5	44	27	36	36	20.0 x 2.0
VETO NW 25 HL	L	PN 160	28	41,5	30,5	47	36	41	41	26.0 x 2.0
VETO NW 32 HL	L	PN 160	35	51,0	34,5	56	41	50	50	32.0 x 2.5
VETO NW 40 HL	L	PN 160	42	56,0	40,0	63	50	60	60	38.0 x 2.5
VETO NW 03 HS	S	PN 630	6	27,0	16,0	31	12	17	17	4.0 x 1.5
VETO NW 04 HS	S	PN 630	8	27,5	17,0	32	14	19	19	6.0 x 1.5
VETO NW 06 HS	S	PN 630	10	30,0	17,5	34	17	22	22	7.5 x 1.5
VETO NW 08 HS	S	PN 630	12	31,0	21,5	38	17	24	24	9.0 x 1.5
VETO NW 10 HS	S	PN 630	14	35,0	22,0	40	19	27	27	10.0 x 2.0
VETO NW 13 HS	S	PN 400	16	36,5	24,5	43	24	30	30	12.0 x 2.0
VETO NW 16 HS	S	PN 400	20	44,5	26,5	48	27	36	36	16.3 x 2.4
VETO NW 20 HS	S	PN 400	25	50,0	30,0	54	36	46	46	20.3 x 2.4
VETO NW 25 HS	S	PN 400	30	55,0	35,5	62	41	50	50	25.3 x 2.4
VETO NW 32 HS	S	PN 315	38	63,0	41,0	72	50	60	60	33.3 x 2.4

Series: LL = Very light L = Light S = Heavy – PN = Nominal pressure PB = Max. operating pressure – Ø = External pipe diameter

Product versions

VETO VA	Fitting, T shaped, Stainless steel
XVETO	Fitting, T shaped, Steel