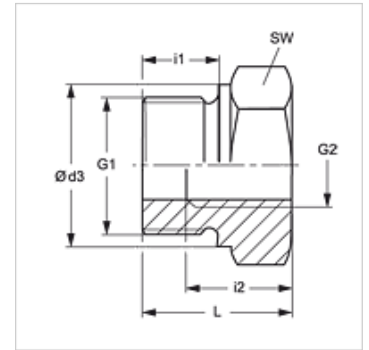
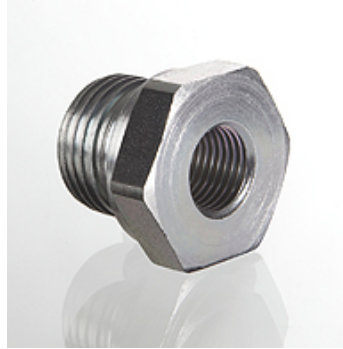


RIK VA

Reducing adapter, short

Properties

Connection 1	BSP external thread, cylindrical
Sealing form 1	Shape B
Connection 2	BSP cylindrical internal threads
Design	Reducing adapters
Construction	short
Material	Stainless steel



Note

Information about fitting, installation, pressure loads and permissible operating temperatures can be found in the technical information for pipe fittings.

Item

Identification	Operating pressure	G1	G2	Ø d3 (mm)	i1 (mm)	i2 (mm)	L (mm)	AF (mm)
RIK NW 10 03 VA	PN 400	G 3/8" -19	G 1/8" -28	22	12	9	22,5	22
RIK NW 13 03 VA	PN 400	G 1/2" -14	G 1/8" -28	26	14	9	24,0	27
RIK NW 13 06 VA	PN 315	G 1/2" -14	G 1/4" -19	26	14	13	24,0	27
RIK NW 20 03 VA	PN 315	G 3/4" -14	G 1/8" -28	32	16	9	26,0	32
RIK NW 20 06 VA	PN 315	G 3/4" -14	G 1/4" -19	32	16	13	26,0	32
RIK NW 20 10 VA	PN 315	G 3/4" -14	G 3/8" -19	32	16	14	26,0	32
RIK NW 25 06 VA	PN 315	G 1" -11	G 1/4" -19	39	18	14	29,0	41
RIK NW 25 10 VA	PN 315	G 1" -11	G 3/8" -19	39	18	14	29,0	41
RIK NW 25 13 VA	PN 315	G 1" -11	G 1/2" -14	39	18	16	29,0	41
RIK NW 32 13 VA	PN 160	G 1.1/4" -11	G 1/2" -14	49	20	16	32,0	50
RIK NW 32 20 VA	PN 160	G 1.1/4" -11	G 3/4" -14	49	20	18	32,0	50
RIK NW 40 13 VA	PN 160	G 1.1/2" -11	G 1/2" -14	55	22	16	36,0	55
RIK NW 40 20 VA	PN 160	G 1.1/2" -11	G 3/4" -14	55	22	18	36,0	55
RIK NW 40 25 VA	PN 160	G 1.1/2" -11	G 1" -11	55	22	20	36,0	55
RIK NW 50 20 VA	PN 160	G 2" -11	G 3/4" -14	68	24	18	44,0	70
RIK NW 50 25 VA	PN 160	G 2" -11	G 1" -11	68	24	20	44,0	70
RIK NW 50 32 VA	PN 160	G 2" -11	G 1.1/4" -11	68	24	22	44,0	70
RIK NW 50 40 VA	PN 160	G 2" -11	G 1.1/2" -11	68	24	24	44,0	70

PN = Nominal pressure PB = Max. operating pressure

Product versions

RIK	Reducing adapter, short, Steel
RIK MG	Reducing adapter, short, Brass