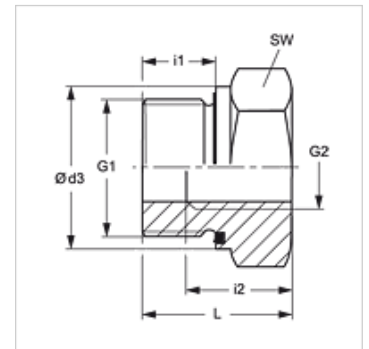


Properties

Connection 1	BSP external thread, cylindrical
Sealing form 1	Shape E
Connection 2	BSP cylindrical internal threads
Design	Reducing adapters
Construction	short
Material	Steel
Surface	electro galvanised



Note

Information about fitting, installation, pressure loads and permissible operating temperatures can be found in the technical information for pipe fittings.

Item

Identification	Operating pressure	G1	G2	Ø d3 (mm)	i1 (mm)	i2 (mm)	L (mm)	AF (mm)
RIK NW 10 03 ED	PN 400	G 3/8" -19	G 1/8" -28	21,9	12	9	22,5	22
RIK NW 13 03 ED	PN 400	G 1/2" -14	G 1/8" -28	26,9	14	9	24,0	27
RIK NW 13 06 ED	PN 400	G 1/2" -14	G 1/4" -19	26,9	14	14	24,0	27
RIK NW 20 06 ED	PN 315	G 3/4" -14	G 1/4" -19	31,9	16	14	26,0	32
RIK NW 20 10 ED	PN 315	G 3/4" -14	G 3/8" -19	31,9	16	14	26,0	32
RIK NW 25 06 ED	PN 315	G 1" -11	G 1/4" -19	39,9	18	14	29,0	41
RIK NW 25 10 ED	PN 315	G 1" -11	G 3/8" -19	39,9	18	14	29,0	41
RIK NW 25 13 ED	PN 315	G 1" -11	G 1/2" -14	39,9	18	16	29,0	41
RIK NW 32 13 ED	PN 315	G 1.1/4" -11	G 1/2" -14	49,9	20	16	32,0	50
RIK NW 32 20 ED	PN 315	G 1.1/4" -11	G 3/4" -14	49,9	20	18	32,0	50
RIK NW 40 13 ED	PN 250	G 1.1/2" -11	G 1/2" -14	54,9	22	16	36,0	55
RIK NW 40 20 ED	PN 250	G 1.1/2" -11	G 3/4" -14	54,9	22	18	36,0	55
RIK NW 40 25 ED	PN 250	G 1.1/2" -11	G 1" -11	54,9	22	20	36,0	55

PN = Nominal pressure PB = Max. operating pressure

Product versions

RIK ED VA Reducing adapter, short, Stainless steel

Spare parts

WD Soft seal for ED fittings