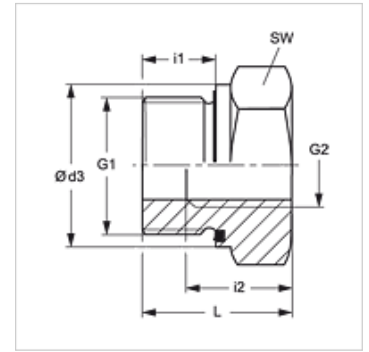


# RIK ED VA

## Reducing adapter, short

### Properties

<b>Connection 1</b>	BSP external thread, cylindrical
<b>Sealing form 1</b>	Shape E
<b>Connection 2</b>	BSP cylindrical internal threads
<b>Design</b>	Reducing adapters
<b>Construction</b>	short
<b>Material</b>	Stainless steel



### Note

Information about fitting, installation, pressure loads and permissible operating temperatures can be found in the technical information for pipe fittings.

### Ordering information

Seals of NBR  
FPM (Viton) on request

### Item

Identification	Operating pressure	G1	G2	Ø d3 (mm)	i1 (mm)	i2 (mm)	L (mm)	AF (mm)
RIK NW 10 03 ED VA	PN 400	G 3/8" -19	G 1/8" -28	21,9	12	9	22,5	22
RIK NW 13 03 ED VA	PN 400	G 1/2" -14	G 1/8" -28	26,9	14	9	24,0	27
RIK NW 13 06 ED VA	PN 400	G 1/2" -14	G 1/4" -19	26,9	14	14	24,0	27
RIK NW 20 03 ED VA	PN 315	G 3/4" -14	G 1/8" -28	31,9	16	9	26,0	32
RIK NW 20 06 ED VA	PN 315	G 3/4" -14	G 1/4" -19	31,9	16	14	26,0	32
RIK NW 20 10 ED VA	PN 315	G 3/4" -14	G 3/8" -19	31,9	16	14	26,0	32
RIK NW 25 06 ED VA	PN 315	G 1" -11	G 1/4" -19	39,9	18	14	29,0	41
RIK NW 25 10 ED VA	PN 315	G 1" -11	G 3/8" -19	39,9	18	14	29,0	41
RIK NW 25 13 ED VA	PN 315	G 1" -11	G 1/2" -14	39,9	18	16	29,0	41
RIK NW 32 13 ED VA	PN 315	G 1.1/4" -11	G 1/2" -14	49,9	20	16	32,0	50
RIK NW 32 20 ED VA	PN 315	G 1.1/4" -11	G 3/4" -14	49,9	20	18	32,0	50
RIK NW 40 13 ED VA	PN 250	G 1.1/2" -11	G 1/2" -14	54,9	22	16	36,0	55
RIK NW 40 20 ED VA	PN 250	G 1.1/2" -11	G 3/4" -14	54,9	22	18	36,0	55
RIK NW 40 25 ED VA	PN 250	G 1.1/2" -11	G 1" -11	54,9	22	20	36,0	55
RIK NW 50 40 ED VA	PN 160	G 2" -11	G 1.1/2" -11	69,9	24	24	40,0	70

PN = Nominal pressure PB = Max. operating pressure

### Product versions

RIK ED Reducing adapter, short, Steel

### Spare parts

WD V Soft seal for ED fittings