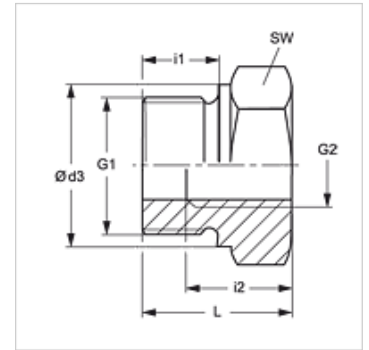
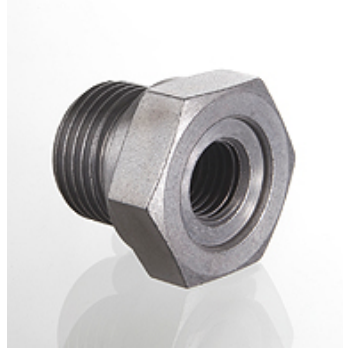


RIK M

Reducing adapter, short

Properties

Connection 1	metric cylindrical outer thread
Sealing form 1	Shape B
Connection 2	metric cylindrical inner thread
Design	Reducing adapters
Construction	short
Material	Steel
Surface	electro galvanised



Note

Information about fitting, installation, pressure loads and permissible operating temperatures can be found in the technical information for pipe fittings.

Item

Identification	Operating pressure	G1	G2	Ø d3 (mm)	i1 (mm)	i2 (mm)	L (mm)	AF (mm)
RIK M 14 12-1	PN 400	M 14 x 1.5	M 12 x 1	19	12	10	20	24
RIK M 16 12	PN 400	M 16 x 1.5	M 12 x 1.5	21	12	10	24	27
RIK M 16 12-1	PN 400	M 16 x 1.5	M 12 x 1	27	12	12	24	27
RIK M 22 12	PN 400	M 22 x 1.5	M 12 x 1.5	27	14	12	24	27
RIK M 22 14	PN 400	M 22 x 1.5	M 14 x 1.5	27	14	12	24	27

PN = Nominal pressure PB = Max. operating pressure