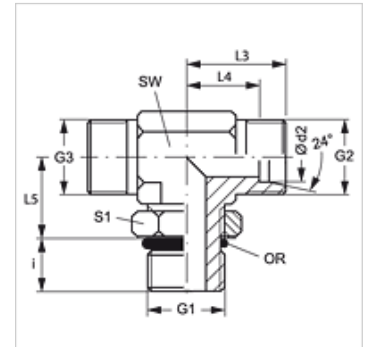


Properties

Connection 1	UN/UNF external threads
Sealing form 1	O-ring seal on screw-in socket
Connection 2 + 3	metric cylindrical outer thread
Sealing form 2 + 3	24° inner cone
Design	Adjustable direction screw-in fitting
Construction	T shaped
Standard	ISO 8434-1
Scope of supply	Socket (without union nut and cutting ring)
Material	Steel
Surface	electro galvanised



Note

Information about fitting, installation, pressure loads and permissible operating temperatures can be found in the technical information for pipe fittings.

Item

Identification	Series	Operating pressure	Ø d2	G1	G2 + G3	i	L3	L4	L5	AF	S1	OR
			(mm)			(mm)	(mm)	(mm)	(mm)	(mm)		
XETO NW 04 HL 7/16	L	PN 315	6	7/16"-20 UNF	M 12 x 1.5	10	29	14	19	14	14	8.92 x 1.83
XETO NW 06 HL 7/16	L	PN 315	8	7/16"-20 UNF	M 14 x 1.5	10	31	16	19	14	14	8.92 x 1.83
XETO NW 06 HL 1/2	L	PN 315	8	1/2"-20 UNF	M 14 x 1.5	10	31	16	19	14	17	10.52 x 1.83
XETO NW 06 HL 9/16	L	PN 315	8	9/16"-18 UNF	M 14 x 1.5	10	31	16	24	17	19	11.90 x 1.98
XETO NW 08 HL 9/16	L	PN 315	10	9/16"-18 UNF	M 16 x 1.5	10	32	17	24	17	19	11.90 x 1.98
XETO NW 10 HL 3/4	L	PN 315	12	3/4"-16 UNF	M 18 x 1.5	13	34	19	25	22	19	16.36 x 2.20
XETO NW 10 HL 9/16	L	PN 315	12	9/16"-18 UNF	M 18 x 1.5	11	34	19	25	17	19	11.90 x 1.98
XETO NW 13 HL 3/4	L	PN 315	15	3/4"-16 UNF	M 22 x 1.5	13	36	21	28	22	22	16.36 x 2.20
XETO NW 13 HL 7/8	L	PN 315	15	7/8"-14 UNF	M 22 x 1.5	15	36	21	28	27	22	19.18 x 2.46
XETO NW 16 HL 1 1/16	L	PN 315	18	1.1/16" -12 UN	M 26 x 1.5	17	40	24	32	32	30	23.47 x 2.95
XETO NW 16 HL 7/8	L	PN 315	18	7/8"-14 UNF	M 26 x 1.5	15	40	24	32	27	27	19.18 x 2.46
XETO NW 20 HL 1 1/16	L	PN 160	22	1.1/16" -12 UN	M 30 x 2	17	44	28	35	32	30	23.47 x 2.95
XETO NW 25 HL 1 5/16	L	PN 160	28	1.5/16" -12 UN	M 36 x 2	17	47	31	42	41	36	29.74 x 2.95
XETO NW 32 HL 1 5/8	L	PN 160	35	1.5/8" -12 UN	M 45 x 2	17	59	38	46	50	50	37.47 x 3.00
XETO NW 40 HL 1 7/8	L	PN 160	42	1.7/8" -12 UN	M 52 x 2	17	61	38	47	55	50	43.69 x 3.00
XETO NW 03 HS 7/16	S	PN 400	6	7/16"-20 UNF	M 14 x 1.5	12	30	15	20	14	14	8.92 x 1.83
XETO NW 04 HS 1/2	S	PN 400	8	1/2"-20 UNF	M 16 x 1.5	12	32	19	25	19	17	10.52 x 1.83
XETO NW 04 HS 9/16	S	PN 400	8	9/16"-18 UNF	M 16 x 1.5	12	32	17	25	19	17	11.90 x 1.98
XETO NW 06 HS 9/16	S	PN 400	10	9/16"-18 UNF	M 18 x 1.5	12	34	18	26	17	19	11.90 x 1.98
XETO NW 08 HS 3/4	S	PN 400	12	3/4"-16 UNF	M 20 x 1.5	14	38	22	30	22	22	16.36 x 2.20
XETO NW 10 HS 7/8	S	PN 250	14	7/8"-14 UNF	M 22 x 1.5	13	34	16	31	27	27	19.18 x 2.95
XETO NW 13 HS 7/8	S	PN 400	16	7/8"-14 UNF	M 24 x 1.5	16	43	25	34	27	27	19.18 x 2.46
XETO NW 16 HS 1 1/16	S	PN 400	20	1.1/16" -12 UN	M 30 x 2	19	49	28	37	32	30	23.47 x 2.95
XETO NW 20 HS 1 1/16	S	PN 400	25	1.1/16" -12 UN	M 36 x 2	19	54	30	50	32	36	23.47 x 2.95
XETO NW 20 HS 1 5/16	S	PN 250	25	1.5/16" -12 UN	M 36 x 2	19	54	30	50	36	41	29.74 x 2.95
XETO NW 25 HS 1 5/8	S	PN 250	30	1.5/8" -12 UN	M 42 x 2	19	62	36	50	50	50	37.47 x 3.00
XETO NW 32 HS 1 7/8	S	PN 250	38	1.7/8" -12 UN	M 52 x 2	19	65	34	51	55	50	43.69 x 3.00

Series: LL = Very light L = Light S = Heavy - PN = Nominal pressure PB = Max. operating pressure - Ø d2 = External pipe diameter

Product versions

ETO Screw-in fitting, T shaped, Socket with union nut and cutting ring