

RIL MG

Reducing adapter, long

Properties

Connection 1 BSP external thread, cylindrical

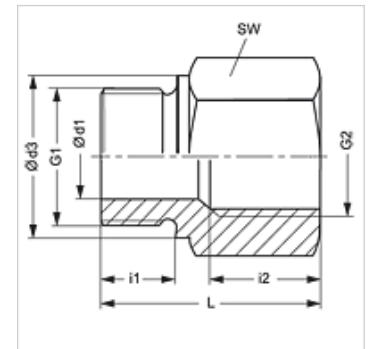
Sealing form 1 Shape B

Connection 2 BSP cylindrical internal threads

Design Reducing adapters

Construction Long

Material Brass



Note

Information about fitting, installation, pressure loads and permissible operating temperatures can be found in the technical information for pipe fittings.

Item

Identification	Operating pressure	Ø d1 (mm)	G1	G2	Ø d3 (mm)	i1 (mm)	i2 (mm)	L (mm)	AF (mm)
RIL NW 03 06 MG	PN 250	4	G 1/8" -28	G 1/4" -19	14	8	17,0	31	19
RIL NW 03 10 MG	PN 250	4	G 1/8" -28	G 3/8" -19	14	8	17,0	32	24
RIL NW 06 03 MG	PN 250	5	G 1/4" -19	G 1/8" -28	18	12	12,0	28	19
RIL NW 06 10 MG	PN 250	5	G 1/4" -19	G 3/8" -19	18	12	17,0	36	24
RIL NW 06 13 MG	PN 250	5	G 1/4" -19	G 1/2" -14	18	12	20,0	40	27
RIL NW 06 20 MG	PN 200	5	G 1/4" -19	G 3/4" -14	18	12	22,0	43	36
RIL NW 10 06 MG	PN 250	8	G 3/8" -19	G 1/4" -19	22	12	17,0	36	22
RIL NW 10 13 MG	PN 250	8	G 3/8" -19	G 1/2" -14	22	12	20,0	41	27
RIL NW 10 20 MG	PN 200	8	G 3/8" -19	G 3/4" -14	22	12	22,0	44	36
RIL NW 13 10 MG	PN 200	12	G 1/2" -14	G 3/8" -19	26	14	17,0	36	27
RIL NW 13 20 MG	PN 200	12	G 1/2" -14	G 3/4" -14	26	14	22,0	46	36
RIL NW 13 25 MG	PN 200	12	G 1/2" -14	G 1" -11	26	14	24,5	49	41
RIL NW 20 13 MG	PN 200	16	G 3/4" -14	G 1/2" -14	32	16	20,0	41	32
RIL NW 20 25 MG	PN 200	16	G 3/4" -14	G 1" -11	32	16	24,5	51	41
RIL NW 25 20 MG	PN 200	20	G 1" -11	G 3/4" -14	39	18	22,0	47	41
RIL NW 25 32 MG	PN 100	20	G 1" -11	G 1.1/4" -11	39	18	26,5	57	55
RIL NW 25 40 MG	PN 100	20	G 1" -11	G 1.1/2" -11	39	18	28,5	59	60
RIL NW 32 25 MG	PN 100	25	G 1.1/4" -11	G 1" -11	49	20	24,5	50	60
RIL NW 32 40 MG	PN 100	25	G 1.1/4" -11	G 1.1/2" -11	49	20	28,5	60	60
RIL NW 40 32 MG	PN 100	32	G 1.1/2" -11	G 1.1/4" -11	55	22	26,5	58	55

PN = Nominal pressure PB = Max. operating pressure

Product versions

RIL Reducing adapter, long, Steel

RIL VA Reducing adapter, long, Stainless steel