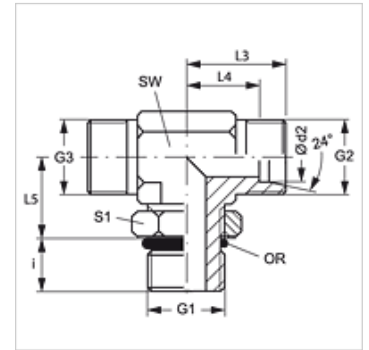


### Properties

<b>Connection 1</b>	metric cylindrical outer thread
<b>Sealing form 1</b>	O-ring seal on screw-in socket
<b>Connection 2 + 3</b>	metric cylindrical outer thread
<b>Sealing form 2 + 3</b>	24° inner cone
<b>Design</b>	Adjustable direction screw-in fitting
<b>Construction</b>	T shaped
<b>Standard</b>	ISO 8434-1
<b>Scope of supply</b>	Socket (without union nut and cutting ring)
<b>Material</b>	Steel
<b>Surface</b>	electro galvanised



### Note

Information about fitting, installation, pressure loads and permissible operating temperatures can be found in the technical information for pipe fittings.

### Item

Identification	Series	Operating pressure	Ø d2 (mm)	G1	G2 + G3	i (mm)	L3 (mm)	L4 (mm)	L5 (mm)	AF (mm)	S1	OR
XETOM NW 04 HL	L	PN 315	6	M 10 x 1	M 12 x 1.5	7	21	14	20	14	14	8.1 x 1.6
XETOM NW 06 HL	L	PN 315	8	M 12 x 1.5	M 14 x 1.5	10	23	16	22	14	17	9.3 x 2.4
XETOM NW 08 HL	L	PN 315	10	M 14 x 1.5	M 16 x 1.5	10	24	17	25	19	19	11.3 x 2.4
XETOM NW 10 HL	L	PN 315	12	M 16 x 1.5	M 18 x 1.5	10	26	19	26	19	22	13.3 x 2.4
XETOM NW 13 HL	L	PN 315	15	M 18 x 1.5	M 22 x 1.5	11	28	21	30	22	24	15.3 x 2.4
XETOM NW 16 HL	L	PN 315	18	M 22 x 1.5	M 26 x 1.5	12	31	24	33	27	27	19.3 x 2.4
XETOM NW 20 HL 27	L	PN 160	22	M 27 x 2	M 30 x 2	14	35	28	35	30	32	23.6 x 2.9
XETOM NW 25 HL	L	PN 160	28	M 33 x 2	M 36 x 2	14	38	31	38	36	41	29.5 x 3.0
XETOM NW 32 HL	L	PN 160	35	M 42 x 2	M 45 x 2	14	48	38	48	50	50	38.0 x 3.0
XETOM NW 40 HL	L	PN 160	42	M 48 x 2	M 52 x 2	16	49	38	49	50	55	44.5 x 3.0
XETOM NW 03 HS	S	PN 400	6	M 12 x 1.5	M 14 x 1.5	10	22	15	22	14	17	9.3 x 2.4
XETOM NW 04 HS	S	PN 400	8	M 14 x 1.5	M 16 x 1.5	10	24	17	26	19	19	11.3 x 2.4
XETOM NW 06 HS	S	PN 400	10	M 16 x 1.5	M 18 x 1.5	11	25	19	27	19	22	13.3 x 2.4
XETOM NW 08 HS	S	PN 400	12	M 18 x 1.5	M 20 x 1.5	12	29	22	31	22	24	15.3 x 2.4
XETOM NW 10 HS	S	PN 250	14	M 20 x 1.5	M 22 x 1.5	14	33	25	35	27	27	17.3 x 2.4
XETOM NW 13 HS	S	PN 400	16	M 22 x 1.5	M 24 x 1.5	14	33	25	35	27	27	19.3 x 2.4
XETOM NW 16 HS	S	PN 400	20	M 27 x 2	M 30 x 2	16	38	28	39	30	32	23.6 x 2.9
XETOM NW 20 HS	S	PN 315	25	M 33 x 2	M 36 x 2	16	42	30	44	36	41	29.5 x 3.0
XETOM NW 25 HS	S	PN 250	30	M 42 x 2	M 42 x 2	17	49	36	51	50	50	38.0 x 3.0
XETOM NW 32 HS	S	PN 200	38	M 48 x 2	M 52 x 2	19	50	34	54	50	55	44.5 x 3.0

Series: LL = Very light L = Light S = Heavy - PN = Nominal pressure PB = Max. operating pressure - Ø d2 = External pipe diameter

### Product versions

**ETOM** Screw-in fitting, T shaped, Socket with union nut and cutting ring