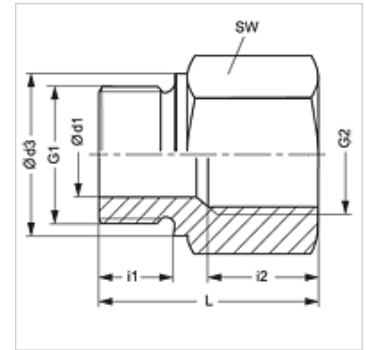


RIL R-M

Reducing adapter, long

Properties

Connection 1	BSP external thread, cylindrical
Sealing form 1	Shape B
Connection 2	metric cylindrical inner thread
Design	Reducing adapters
Construction	Long
Material	Steel
Surface	electro galvanised



Note

Information about fitting, installation, pressure loads and permissible operating temperatures can be found in the technical information for pipe fittings.

Item

Identification	Operating pressure	Ø d1 (mm)	G1	G2	Ø d3 (mm)	i1 (mm)	i2 (mm)	L (mm)	AF (mm)
RIL NW 13 M 12	PN 250	10,5	G 1/2" -14	M 12 x 1.5	26	14,0	18	26,5	27
RIL NW 20 M 26	PN 250	16,0	G 3/4" -14	M 26 x 1.5	32	16,5	20	46,0	36
RIL NW 25 M 22	PN 250	20,0	G 1" -11	M 22 x 1.5	39	18,0	18	29,0	41

PN = Nominal pressure PB = Max. operating pressure