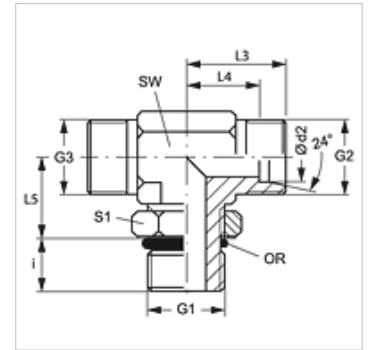


## Properties

<b>Connection 1</b>	BSP external thread, cylindrical
<b>Sealing form 1</b>	form G
<b>Connection 2 + 3</b>	metric cylindrical outer thread
<b>Sealing form 2 + 3</b>	24° inner cone
<b>Design</b>	Adjustable direction screw-in fitting
<b>Construction</b>	T shaped
<b>Standard</b>	ISO 8434-1
<b>Scope of supply</b>	Socket (without union nut and cutting ring)
<b>Material</b>	Steel
<b>Surface</b>	electro galvanised



## Note

Information about fitting, installation, pressure loads and permissible operating temperatures can be found in the technical information for pipe fittings.

## Item

Identification	Series	Operating pressure	Ø d2 (mm)	G1	G2 + G3	i (mm)	L3 (mm)	L4 (mm)	L5 (mm)	AF (mm)	S1	OR
XETOR NW 04 HL	L	PN 315	6	G 1/8" -28	M 12 x 1.5	7	21	14	19	14	14	8.00 x 1.50
XETOR NW 06 HL	L	PN 315	8	G 1/4" -19	M 14 x 1.5	9	23	16	23	14	19	10.77 x 2.62
XETOR NW 08 HL	L	PN 315	10	G 1/4" -19	M 16 x 1.5	9	24	17	25	19	19	10.77 x 2.62
XETOR NW 10 HL	L	PN 250	12	G 3/8" -19	M 18 x 1.5	9	26	19	28	19	22	13.94 x 2.62
XETOR NW 13 HL	L	PN 250	15	G 1/2" -14	M 22 x 1.5	13	28	21	30	22	27	17.86 x 2.62
XETOR NW 16 HL	L	PN 250	18	G 1/2" -14	M 26 x 1.5	13	31	24	36	27	27	17.86 x 2.62
XETOR NW 20 HL	L	PN 160	22	G 3/4" -14	M 30 x 2	13	35	28	36	30	36	23.47 x 2.62
XETOR NW 25 HL	L	PN 160	28	G 1" -11	M 36 x 2	15	38	31	44	36	41	29.50 x 3.53
XETOR NW 32 HL	L	PN 160	35	G 1.1/4" -11	M 45 x 2	15	48	38	50	50	50	37.69 x 3.53
XETOR NW 40 HL	L	PN 160	42	G 1.1/2" -11	M 52 x 2	15	49	38	52	50	50	44.04 x 3.53
XETOR NW 03 HS	S	PN 315	6	G 1/4" -19	M 14 x 1.5	9	22	15	23	14	19	10.77 x 2.62
XETOR NW 04 HS	S	PN 315	8	G 1/4" -19	M 16 x 1.5	9	24	17	27	19	19	10.77 x 2.62
XETOR NW 06 HS	S	PN 250	10	G 3/8" -19	M 18 x 1.5	9	25	18	29	19	22	13.94 x 2.62
XETOR NW 08 HS	S	PN 250	12	G 3/8" -19	M 20 x 1.5	9	29	22	29	22	22	13.94 x 2.62
XETOR NW 10 HS	S	PN 250	14	G 1/2" -14	M 22 x 1.5	13	43	25	36	27	27	17.86 x 2.62
XETOR NW 13 HS	S	PN 250	16	G 1/2" -14	M 24 x 1.5	13	33	25	36	27	27	17.86 x 2.62
XETOR NW 16 HS	S	PN 250	20	G 3/4" -14	M 30 x 2	12	38	28	39	30	36	23.47 x 2.62
XETOR NW 20 HS	S	PN 250	25	G 1" -11	M 36 x 2	14	42	30	44	36	41	29.74 x 3.53
XETOR NW 25 HS	S	PN 160	30	G 1.1/4" -11	M 42 x 2	15	49	36	49	50	50	37.69 x 3.53
XETOR NW 32 HS	S	PN 160	38	G 1.1/2" -11	M 52 x 2	15	50	34	55	50	55	44.04 x 3.53

Series: LL = Very light L = Light S = Heavy - PN = Nominal pressure PB = Max. operating pressure - Ø d2 = External pipe diameter