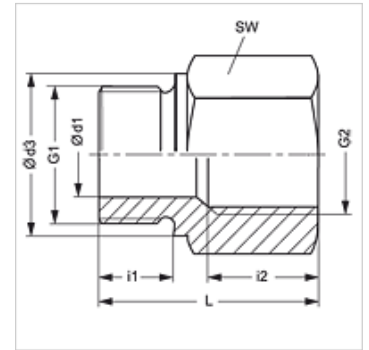


RIL VA

Reducing adapter, long

Properties

Connection 1	BSP external thread, cylindrical
Sealing form 1	Shape B
Connection 2	BSP cylindrical internal threads
Design	Reducing adapters
Construction	Long
Material	Stainless steel



Note

Information about fitting, installation, pressure loads and permissible operating temperatures can be found in the technical information for pipe fittings.

Item

Identification	Operating pressure	Ø d1 (mm)	G1	G2	Ø d3 (mm)	i1 (mm)	i2 (mm)	L (mm)	AF (mm)
RIL NW 03 06 VA	PN 400	4	G 1/8" -28	G 1/4" -19	14	8	17,0	31	19
RIL NW 03 10 VA	PN 400	4	G 1/8" -28	G 3/8" -19	14	8	17,0	32	24
RIL NW 06 03 VA	PN 400	5	G 1/4" -19	G 1/8" -28	18	12	12,0	28	19
RIL NW 06 10 VA	PN 400	5	G 1/4" -19	G 3/8" -19	18	12	17,0	36	24
RIL NW 06 13 VA	PN 400	5	G 1/4" -19	G 1/2" -14	18	12	20,0	40	27
RIL NW 06 20 VA	PN 315	5	G 1/4" -19	G 3/4" -14	18	12	22,0	43	36
RIL NW 10 06 VA	PN 400	8	G 3/8" -19	G 1/4" -19	22	12	17,0	36	22
RIL NW 10 13 VA	PN 400	8	G 3/8" -19	G 1/2" -14	22	12	20,0	41	27
RIL NW 10 20 VA	PN 315	8	G 3/8" -19	G 3/4" -14	22	12	22,0	44	36
RIL NW 13 10 VA	PN 315	12	G 1/2" -14	G 3/8" -19	26	14	17,0	36	27
RIL NW 13 20 VA	PN 315	12	G 1/2" -14	G 3/4" -14	26	14	22,0	46	36
RIL NW 13 25 VA	PN 315	12	G 1/2" -14	G 1" -11	26	14	24,5	49	41
RIL NW 13 32 VA	PN 160	10	G 1/2" -14	G 1.1/4" -11	26	14	26,5	53	55
RIL NW 20 13 VA	PN 315	16	G 3/4" -14	G 1/2" -14	32	16	20,0	41	32
RIL NW 20 25 VA	PN 315	16	G 3/4" -14	G 1" -11	32	16	24,5	51	41
RIL NW 20 32 VA	PN 160	16	G 3/4" -14	G 1.1/4" -11	32	16	26,5	55	55
RIL NW 20 40 VA	PN 160	16	G 3/4" -14	G 1.1/2" -11	32	16	28,5	57	60
RIL NW 25 20 VA	PN 315	20	G 1" -11	G 3/4" -14	39	18	22,0	47	41
RIL NW 25 32 VA	PN 160	20	G 1" -11	G 1.1/4" -11	39	18	26,5	57	55
RIL NW 25 40 VA	PN 160	20	G 1" -11	G 1.1/2" -11	39	18	28,5	59	60
RIL NW 32 25 VA	PN 160	25	G 1.1/4" -11	G 1" -11	49	20	24,5	52	60
RIL NW 32 40 VA	PN 160	25	G 1.1/4" -11	G 1.1/2" -11	49	20	28,5	60	60
RIL NW 40 32 VA	PN 160	32	G 1.1/2" -11	G 1.1/4" -11	55	22	26,5	58	55

PN = Nominal pressure PB = Max. operating pressure

Product versions

RIL	Reducing adapter, long, Steel
RIL MG	Reducing adapter, long, Brass